



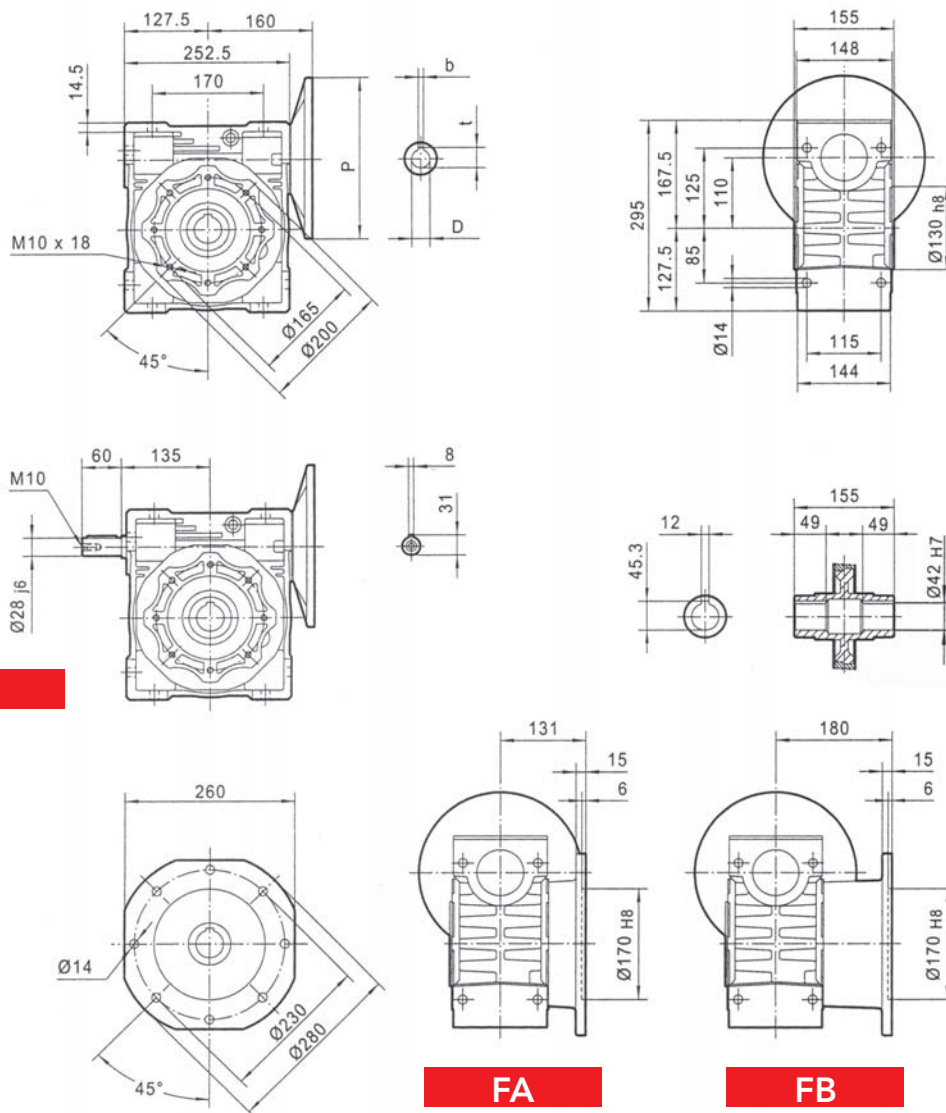
CHM 110 - PERFORMANCE WITH 4-POLE MOTORS 1400 REVS. INPUT

CHM 110

TYPE	i=ratio	n2 r/min	Kw=P1	Nm=T2	f.s.	Possible types of motor connections	
	7.5	186.7	7.50	344	1.6	132/112/100	B5/B14
	10	140.0	7.50	453	1.3	132/112/100	B5/B14
	15	93.3	7.50	659	1.0	132/112/100	B5/B14
	20	70.0	5.50	635	1.0	132/112/100	B5/B14
	25	56.0	4.00	573	1.2	112/100	B5/B14
	30	46.7	4.00	645	1.1	112/100	B5/B14
	40	35.0	3.00	636	1.1	112/100/90	B5/B14*
	50	28.0	3.00	764	0.9	112/100/90	B5/B14*
	60	23.3	2.20	645	1.0	112/100/90	B5/B14*
	80	17.5	1.50	546	0.9	90	B5/B14*
	100	14.0	1.10	470	1.0	90	B5/B14*

* 90 only B5

DIMENSIONS



E

FA

FB

PAM IEC	P	DE8	b	t
132B5	300	38	10	41.3
112B5	250	28	8	31.3
100B5	250	28	8	31.3
90B5	200	24	8	27.3
80B5	200	19	6	21.8

PAM IEC	P	DE8	b	t
132B14	200	38	10	41.3
112B14	160	28	8	31.3
100B14	160	28	8	31.3

Weight 35 Kg excluding motor

CHM 110 - PERFORM. WITH 4-POLE MOTORS - 1400 REVS. INPUT 33