

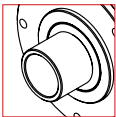
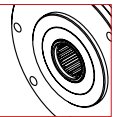
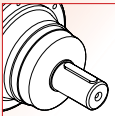
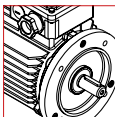
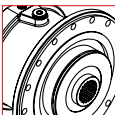

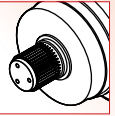
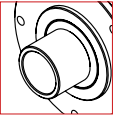
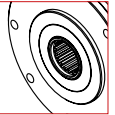
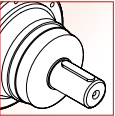
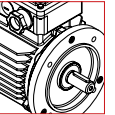
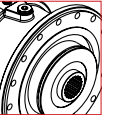




# CHPL/CHPLB 2500

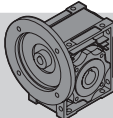
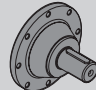
	<b>i</b>		<b>OUT</b>	<b>IN</b>
<b>2501</b>	3.78 ÷ 7.25	1 reduction stage	 Ø65 Ø60	 58X53 DIN 5482
<b>2502</b>	13.4 ÷ 62.8	2 reduction stages	 Ø75	 58X53 DIN 5482
<b>2503</b>	52.1 ÷ 424.1	3 reduction stages		 Ø42 Ø65 Hydraulic Motor
<b>2504</b>	352.0 ÷ 2369.2	4 reduction stages		 Electric Motor Worm gearboxes
				 Brake

	<b>i</b>		<b>OUT</b>	<b>IN</b>
<b>2502</b>	12.1 ÷ 21.3	2 reduction stages	 Ø65 Ø60	 58X53 DIN 5482
<b>2503</b>	39.4 ÷ 143.5	3 reduction stages	 Ø75	 58X53 DIN 5482
<b>2504</b>	140.1 ÷ 1244.1	4 reduction stages		 Ø42 Ø65 Hydraulic Motor
				 Electric Motor
				 Brake



## DATI TECNICI

## TECHNICAL DATA

CHPL	i	T <sub>2n</sub> (n <sub>1</sub> = 1400 rpm) 10.000h FS=1 [Nm]	P <sub>1n</sub> (n <sub>1</sub> = 1400 rpm) 10.000h FS=1 [kW]	T <sub>2</sub> Max [Nm]	P <sub>t</sub> 1400 rpm [kW]	IEC		 CHM	 CM/CP	
						(B5)				
2501	3.78	1447	59.4	7180	20	63	71	CHM 50 CHM 75	CHM 63 CHM 90	CM42 CM65 CP 65
	4.13	1359	49.95	6500						
	5.17	1173	34.5	5420						
	6	1017	25.76	4540						
	7.25	823	17.25	3520						
2502	13.4	1851	21.75	7180	12	63 80 100 132	71 90 112 160	CHM 50 CHM 75	CHM 63 CHM 90	CM42
	16.2	1930	18.75	7180						
	18.4	1479	12.65	5420						
	23.1	1857	12.65	6500						
	28.9	1598	8.7	5420						
	34.9	1663	7.5	5420						
	40.5	1415	5.5	4540						
	48.9	1165	3.75	3520						
	62.8	1186	2.97	3520						
2503	52.1	2109	6.6	6500	8	63 80 100 132	71 90 112	CHM 50 CHM 75	CHM 63 CHM 90	CM42
	57.6	2330	6.6	7180						
	62.9	2205	5.72	6500						
	75.2	2535	5.5	7180						
	82.1	2265	4.5	6500						
	90.7	2569	4.62	7180						
	99	2366	3.9	6500						
	119.3	2524	3.45	6500						
	129.4	2445	3.08	6500						
	149.5	2117	2.31	5420						
	155.9	2523	2.64	6500						
	162	2161	2.17	5420						
	173.6	1836	1.72	4540						
	195.3	2245	1.87	5420						
	235.4	2303	1.59	5420						
	273.4	1937	1.15	4540						
	302.2	2344	1.26	5420						
330.3	1573	0.77	3520							
424.1	1170	0.45	3520							
2504	352	2977	1.43	6500	4	63 80 100	71 90 112	CHM 50 CHM 75	CHM 63 CHM 90	CM 42
	365.8	2403	1.11	5420						
	388.6	3287	1.43	7180						
	413.9	3368	1.38	7180						
	424.3	3036	1.21	6500						
	468.4	3353	1.21	7180						
	511.4	3134	1.04	6500						
	554.4	3154	0.96	6500						
	612	3616	1.0	7180						
	668.2	3217	0.82	6500						
	737.7	3715	0.85	7180						
	805.5	3335	0.70	6500						
	858	3427	0.68	6500						
	907.3	2898	0.54	5420						
	1052.5	3579	0.58	6500						
	1121.1	3582	0.55	6500						
	1318.3	3089	0.40	5420						
	1598	3159	0.34	5420						
	1845.3	2751	0.25	4540						
2369.2	2860	0.21	4540							

n<sub>1max</sub> = 2800 rpm

per ulteriori rapporti consultare l'ufficio tecnico

for information consult the technical office



## DATI TECNICI

## TECHNICAL DATA

CHPLB	i	T <sub>2n</sub> (n <sub>1</sub> = 1400 rpm) 10.000h FS=1 [Nm]	P <sub>1n</sub> (n <sub>1</sub> = 1400 rpm) 10.000h FS=1 [kW]	T <sub>2</sub> Max [Nm]	P <sub>t</sub> 1400 rpm [kW]	IEC		CM/CP
						(B5)		
2502	12.1	1613	21	6500	12	63	71	CM42 CM 65 CP 65
	15.2	1434	14.85	5420		80	90	
	17.6	1207	7.2	4540		100	112	
	21.3	974	7.2	3520		132	160	
2503	39.4	2222	9.2	7180	8	63 80 100 132	71 90 112	CM42 CM 65 CP 65
	47.5	2360	8.1	7180				
	53.9	1745	5.28	5420				
	67.8	2194	5.28	6500				
	75.4	1594	3.45	4540				
	84.9	1953	3.75	5420				
	91.1	1290	2.31	3520				
	102.3	2001	3.19	5420				
	118.8	1683	2.31	4540				
	143.5	1356	1.54	3520				
2504	140.1	2735	3.3	7180	4	63 80 100	71 90 112	CM42 CM 65 CP 65
	168.9	2858	2.86	7180				
	184.4	2640	2.42	6500				
	220.6	3014	2.31	7180				
	240.9	2780	1.95	6500				
	265.9	3068	1.95	7180				
	290.4	2835	1.65	6500				
	320.6	3129	1.65	7180				
	350	2962	1.43	6500				
	422.4	2061	0.83	3520				
	449.4	3071	1.16	6500				
	475.3	2629	0.94	5420				
	509.1	2153	0.72	4540				
	551.9	2153	0.66	4540				
	615.2	1802	0.49	3520				
	665.3	2382	0.61	4540				
	735.5	2872	0.66	5420				
801.9	2349	0.49	4540					
1244.1	2024	0.27	3520					

n<sub>1max</sub> = 2800 rpm

per ulteriori rapporti consultare l'ufficio tecnico

for information consult the technical office

CHPL / CHPLB 2500

# CHPL/CHPLB 2500 CMS



CHPL/CHPLB 2500

## DIMENSIONI CMS

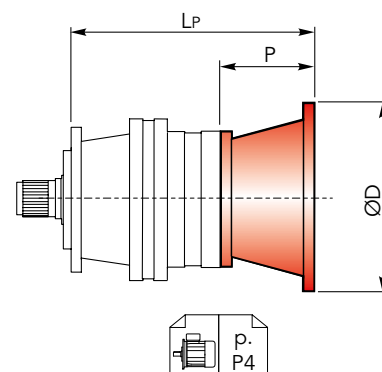
## CMS DIMENSIONS

### CHPL 2500 CMS - Flange motori IEC

### CHPL 2500 CMS- IEC Motor flanges

CHPL	IEC 63			IEC 71			IEC 80			IEC 90			IEC 100		
	Lp	P	ØD	Lp	P	ØD	Lp	P	ØD	Lp	P	ØD	Lp	P	ØD
2501	201			201			221			221			231		
2502	249	36	140	249	36	160	269	56	200	269	56	200	279	66	250
2503	297			297			317			317			327		
2504	345			345			365			365			375		

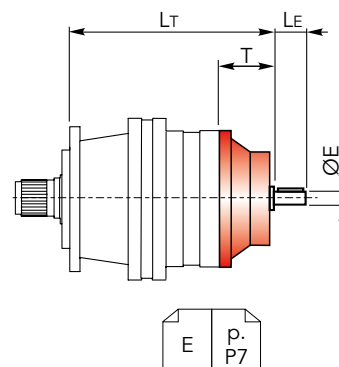
CHPL	IEC 112			IEC 132			IEC 160			IEC 180		
	Lp	P	ØD	Lp	P	ØD	Lp	P	ØD	Lp	P	ØD
2501	231			265			304			304	139	350
2502	279	66	250	313	100	300	352					
2503	327			361								
2504	375											



### CHPL 2500 CMS - Alberi maschi entrata

### CHPL 2500 CMS - Male input shafts

CHPL	CM42				CM65				CP65			
	Lt	T	Le	ØE	Lt	T	Le	ØE	Lt	T	Le	ØE
2501	258				300	121.5	105	65 h6	331.5	153	105	65 h6
2502	306	93	82	42 h6								
2503	354											
2504	402											





# CHPL/CHPLB 2500 CMS

D5

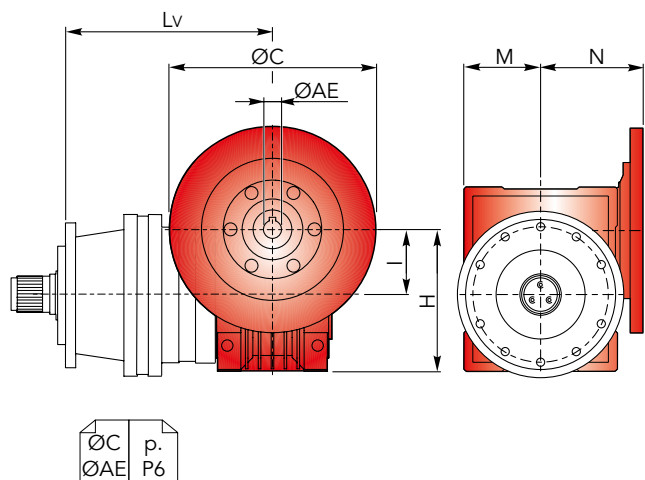
## DIMENSIONI CMS

## CMS DIMENSIONS

CHPL 2500 CMS - Riduttore a vite senza fine CHM in entrata CHPL 2500 CMS - CHM input worm gearboxes

CHPL	CHM 50					CHM 63				
	Lv	I	H	M	N	Lv	I	H	M	N
2501	290.5	50	110	60	80	300	63	135	72	95
2502	338.5					348				
2503	386.5					396				
2504	434.5					444				

CHPL	CHM 75					CHM 90				
	Lv	I	H	M	N	Lv	I	H	M	N
2501	279	75	161	86	112.5	289	90	193	103	129.5
2502	327					337				
2503	375					385				
2504	423					433				



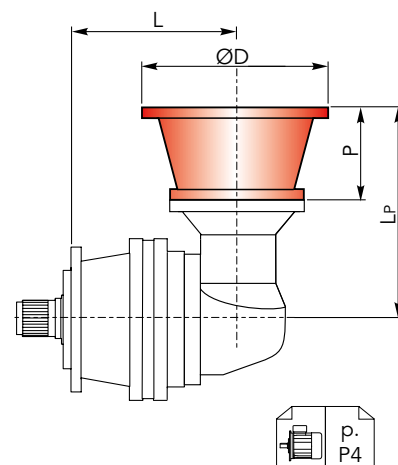
CHPL/CHPLB 2500

### CHPLB 2500 CMS - Flange motori IEC

### CHPLB 2500 CMS - IEC Motor flanges

CHPLB	IEC 63				IEC 71				IEC 80				IEC 90			
	L	LP	P	ØD	L	LP	P	ØD	L	LP	P	ØD	L	LP	P	ØD
2502	240				240				240				240			
2503	288	196	36	140	288	196	36	160	288	216	56	200	288	216	56	200
2504	336				336				336				336			

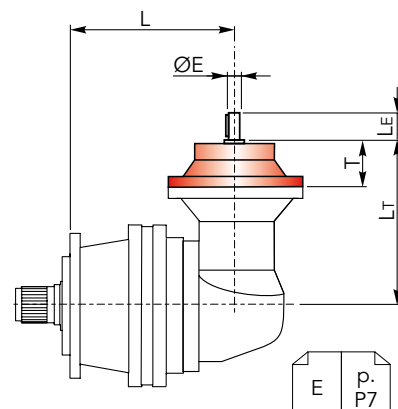
CHPLB	IEC 100				IEC 112				IEC 132				IEC 160			
	L	LP	P	ØD	L	LP	P	ØD	L	LP	P	ØD	L	LP	P	ØD
2502	240				240				240				240	299	139	350
2503	288	226	66	250	288	226	66	250	288	260	100	300	-			
2504	336				336				-				-			



### CHPLB 2500 CMS - Alberi maschi entrata

### CHPL 2500 CMS - Male input shafts

CHPLB	CM42					CM65					CP65				
	L	LT	T	LE	ØE	L	LT	T	LE	ØE	L	LT	T	LE	ØE
2502	240					240					240				
2503	288	253	93	82	42 h6	288	297.5	121.5	105	65 h6	288	329	153	105	65 h6
2504	336					336					336				



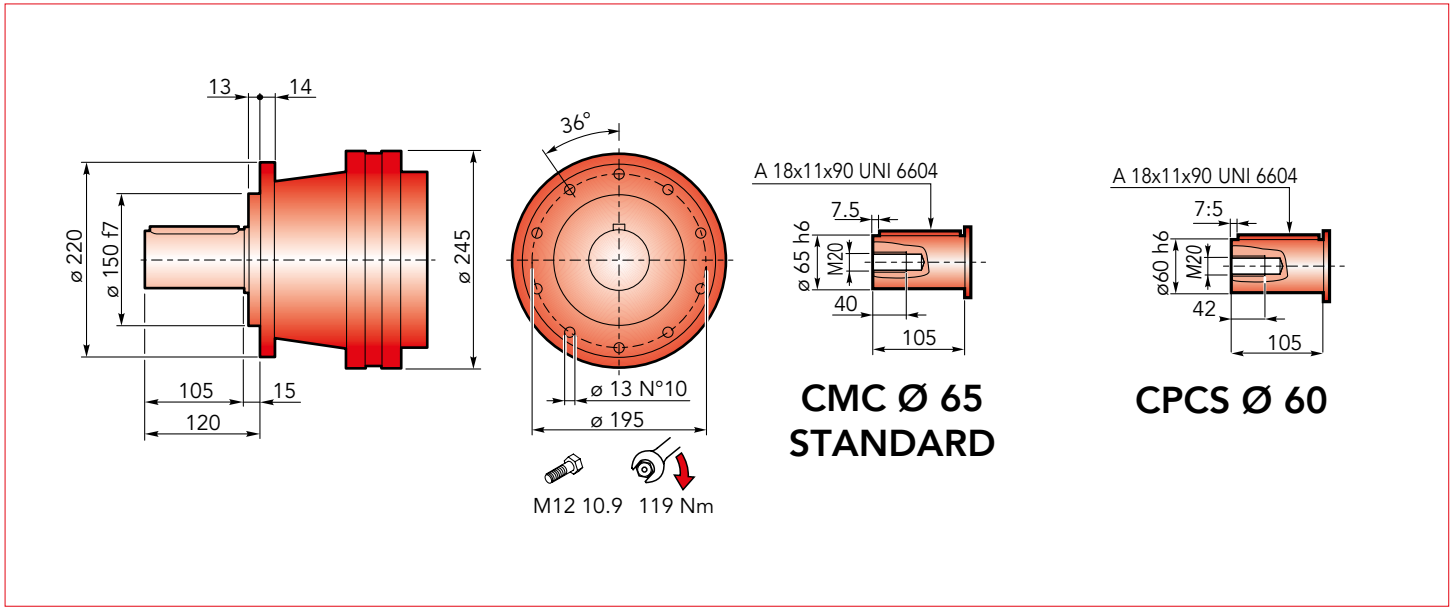
# CHPL/CHPLB 2500 CMC



CHPL/CHPLB 2500

## DIMENSIONI CMC

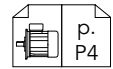
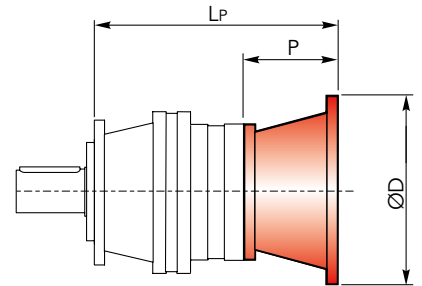
## CMC DIMENSIONS



### CHPL 2500 CMC - Flange motori IEC

### CHPL 2500 CMC- IEC Motor flanges

CHPL	IEC 63			IEC 71			IEC 80			IEC 90			IEC 100		
	LP	P	ØD	LP	P	ØD	LP	P	ØD	LP	P	ØD	LP	P	ØD
2501	201	36	140	201	36	160	221	56	200	221	56	200	231	66	250
2502	249			249			269			269			279		
2503	297			297			317			317			327		
2504	345			345			365			365			375		

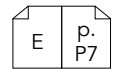
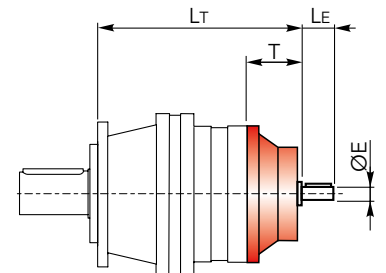


CHPL	IEC 112			IEC 132			IEC 160			IEC 180		
	LP	P	ØD	LP	P	ØD	LP	P	ØD	LP	P	ØD
2501	231	66	250	265	100	300	304	139	350	304	139	350
2502	279			313			352			-		
2503	327			361			-			-		
2504	375			-			-			-		

### CHPL 2500 CMC - Alberi maschi entrata

### CHPL 2500 CMC - Male input shafts

CHPL	CM42				CM65				CP65			
	LT	T	LE	ØE	LT	T	LE	ØE	LT	T	LE	ØE
2501	258	93	82	42 h6	300	121.5	105	65 h6	331.5	153	105	65 h6
2502	306				-	-						
2503	354				-	-						
2504	402				-	-						





# CHPL/CHPLB 2500 CMC

D7

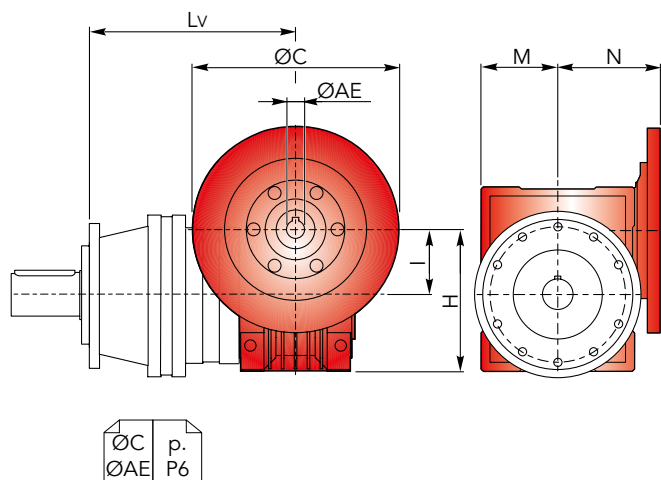
## DIMENSIONI CMC

## CMC DIMENSIONS

CHPL 2500 CMC - Riduttore a vite senza fine CHM in entrata CHPL 2500 CMC - CHM input worm gearboxes

CHPL	CHM 50					CHM 63				
	Lv	I	H	M	N	Lv	I	H	M	N
2501	290.5	50	110	60	80	300	63	135	72	95
2502	338.5					348				
2503	386.5					396				
2504	434.5					444				

CHPL	CHM 75					CHM 90				
	Lv	I	H	M	N	Lv	I	H	M	N
2501	279	75	161	86	112.5	289	90	193	103	129.5
2502	327					337				
2503	375					385				
2504	423					433				



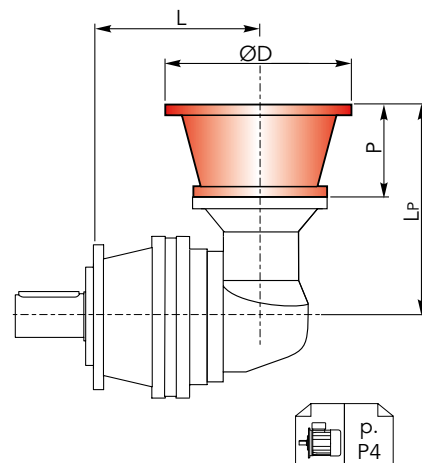
CHPL/CHPLB 2500

### CHPLB 2500 CMC - Flange motori IEC

### CHPLB 2500 CMC - IEC Motor flanges

CHPLB	IEC 63				IEC 71				IEC 80				IEC 90			
	L	LP	P	ØD	L	LP	P	ØD	L	LP	P	ØD	L	LP	P	ØD
2502	240				240				240				240			
2503	288	196	36	140	288	196	36	160	288	216	56	200	288	216	56	200
2504	336				336				336				336			

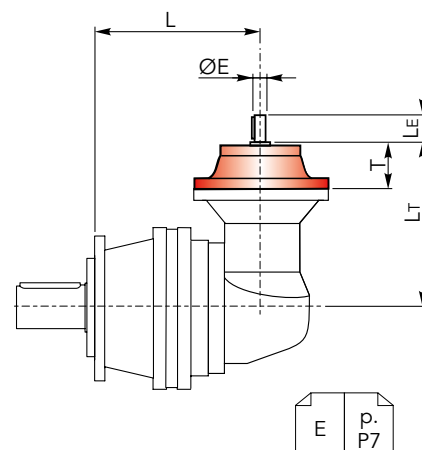
CHPLB	IEC 100				IEC 112				IEC 132				IEC 160			
	L	LP	P	ØD	L	LP	P	ØD	L	LP	P	ØD	L	LP	P	ØD
2502	240				240				240				240	299	139	350
2503	288	226	66	250	288	226	66	250	288	260	100	300	-			
2504	336				336				-				-			



### CHPLB 2500 CMC - Alberi maschi entrata

### CHPL 2500 CMC - Male input shafts

CHPLB	CM42					CM65					CP65				
	L	LT	T	LE	ØE	L	LT	T	LE	ØE	L	LT	T	LE	ØE
2502	240					240					240				
2503	288	253	93	82	42 h6	288	297.5	121.5	105	65 h6	288	329	153	105	65 h6
2504	336					336					336				



# CHPL/CHPLB 2500 CPS



CHPL/CHPLB 2500

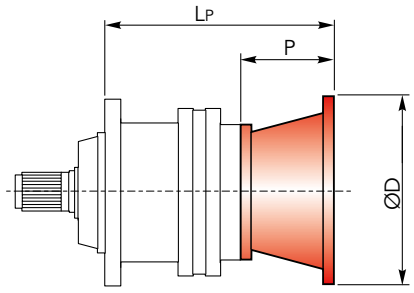
## DIMENSIONI CPS

## CPS DIMENSIONS

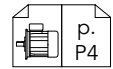
### CHPL 2500 CPS - Flange motori IEC

### CHPL 2500 CPS- IEC Motor flanges

CHPL	IEC 63			IEC 71			IEC 80			IEC 90			IEC 100		
	LP	P	ØD	LP	P	ØD	LP	P	ØD	LP	P	ØD	LP	P	ØD
2501	208			208			228			228			238		
2502	256	36	140	256	36	160	276	56	200	276	56	200	286	66	250
2503	304			304			324			324			334		
2504	352			352			372			372			382		



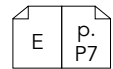
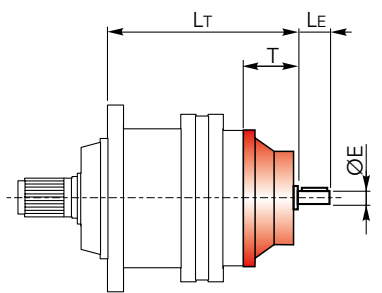
CHPL	IEC 112			IEC 132			IEC 160			IEC 180		
	LP	P	ØD	LP	P	ØD	LP	P	ØD	LP	P	ØD
2501	238			272			311			311	139	350
2502	286			320	100	300	359					-
2503	334	66	250	368								-
2504	382											-



### CHPL 2500 CPS - Alberi maschi entrata

### CHPL 2500 CPS - Male input shafts

CHPL	CM42				CM65				CP65			
	LT	T	LE	ØE	LT	T	LE	ØE	LT	T	LE	ØE
2501	265				307	121.5	105	65 h6	338.5	153	105	65 h6
2502	313											
2503	361	93	82	42 h6								
2504	409											







# CHPL/CHPLB 2500 CPS

D9

## DIMENSIONI CPS

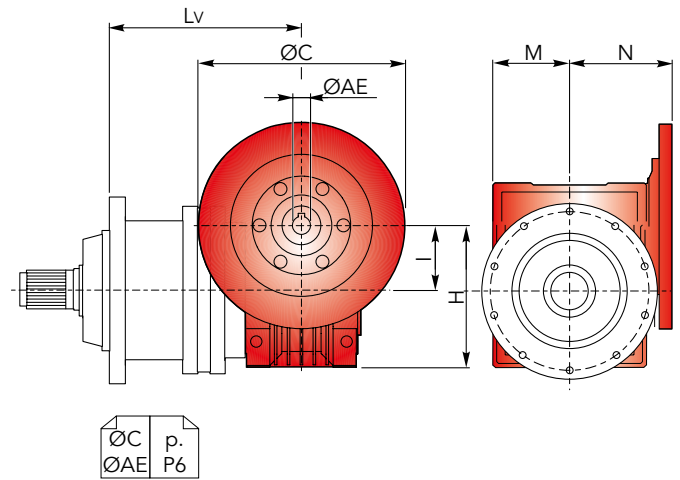
## CPS DIMENSIONS

CHPL 2500 CPS - Riduttore a vite senza fine CHM in entrata

CHPL 2500 CPS - CHM input worm gearboxes

CHPL	CHM 50					CHM 63				
	Lv	I	H	M	N	Lv	I	H	M	N
2501	297.5	50	110	60	80	307	63	135	72	95
2502	345.5					355				
2503	393.5					403				
2504	441.5					451				

CHPL	CHM 75					CHM 90				
	Lv	I	H	M	N	Lv	I	H	M	N
2501	286	75	161	86	112.5	296	90	193	103	129.5
2502	334					344				
2503	382					392				
2504	430					440				



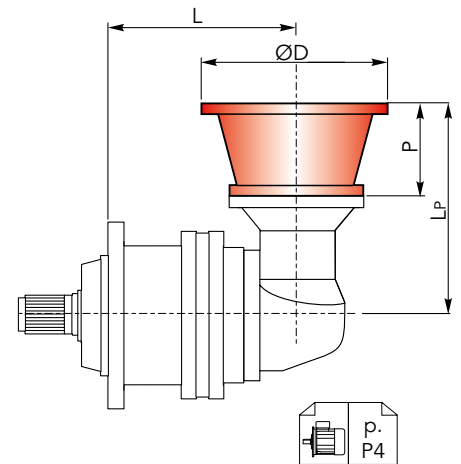
CHPL/CHPLB 2500

CHPLB 2500 CPS - Flange motori IEC

CHPLB 2500 CPS - IEC Motor flanges

CHPLB	IEC 63				IEC 71				IEC 80				IEC 90			
	L	LP	P	ØD	L	LP	P	ØD	L	LP	P	ØD	L	LP	P	ØD
2502	247				247				247				247			
2503	295	196	36	140	295	196	36	160	295	216	56	200	295	216	56	200
2504	343				343				343				343			

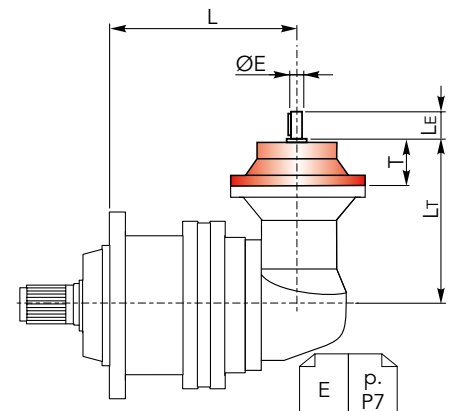
CHPLB	IEC 100				IEC 112				IEC 132				IEC 160			
	L	LP	P	ØD	L	LP	P	ØD	L	LP	P	ØD	L	LP	P	ØD
2502	247				247				247				247	299	139	350
2503	295	226	66	250	295	226	66	250	295	260	100	300	295			
2504	343				343				343				343			



CHPLB 2500 CPS - Alberi maschi entrata

CHPL 2500 CPS - Male input shafts

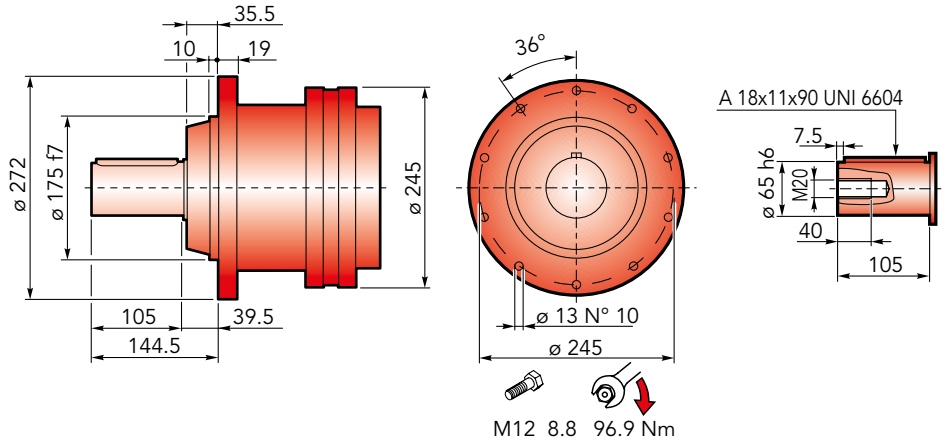
CHPLB	CM42					CM65					CP65				
	L	LT	T	LE	ØE	L	LT	T	LE	ØE	L	LT	T	LE	ØE
2502	247					247					247				
2503	295	253	93	82	42 h6	295	297.5	121.5	105	65 h6	295	329	153	105	65 h6
2504	343					343					343				





DIMENSIONI CPC

CPC DIMENSIONS

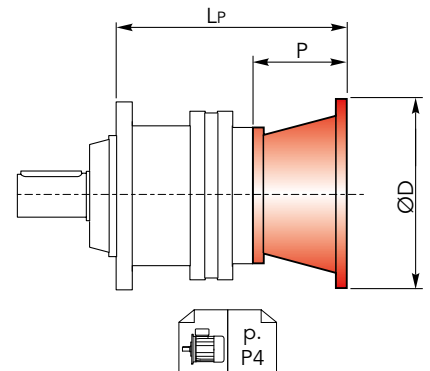


CHPL 2500 CPC - Flange motori IEC

CHPL 2500 CPC-IEC Motor flanges

CHPL	IEC 63			IEC 71			IEC 80			IEC 90			IEC 100		
	LP	P	ØD	LP	P	ØD	LP	P	ØD	LP	P	ØD	LP	P	ØD
2501	208			208			228			228			238		
2502	256	36	140	256	36	160	276	56	200	276	56	200	286	66	250
2503	304			304			324			324			334		
2504	352			352			372			372			382		

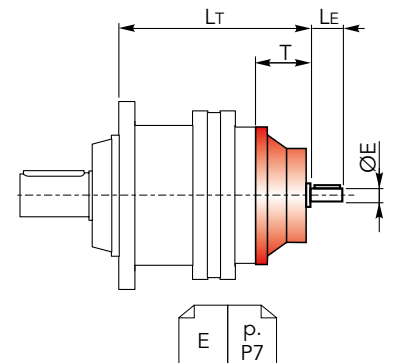
CHPL	IEC 112			IEC 132			IEC 160			IEC 180		
	LP	P	ØD	LP	P	ØD	LP	P	ØD	LP	P	ØD
2501	238			272			311			311	139	350
2502	286	66	250	320	100	300	359	139	350			-
2503	334			368								-
2504	382											-



CHPL 2500 CPC - Alberi maschi entrata

CHPL 2500 CPC - Male input shafts

CHPL	CM42				CM65				CP65			
	LT	T	LE	ØE	LT	T	LE	ØE	LT	T	LE	ØE
2501	265				307	121.5	105	65 h6	338.5	153	105	65 h6
2502	313	93	82	42 h6								
2503	361											
2504	409											





# CHPL/CHPLB 2500 CPC

D11

## DIMENSIONI CPC

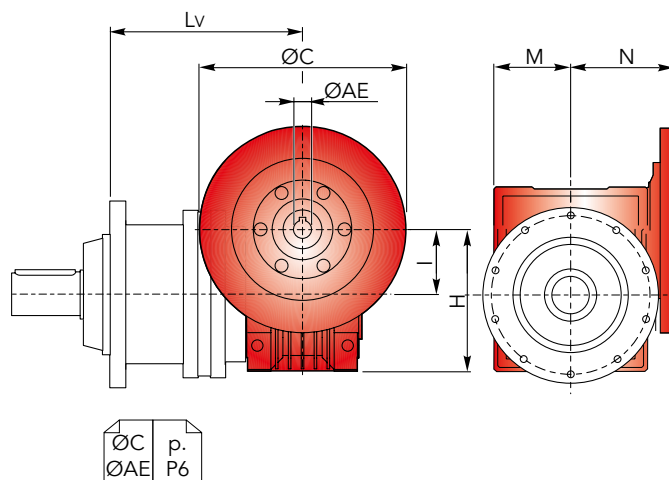
## CPC DIMENSIONS

CHPL 2500 CPC - Riduttore a vite senza fine CHM in entrata

CHPL 2500 CPC - CHM input worm gearboxes

CHPL	CHM 50					CHM 63				
	Lv	I	H	M	N	Lv	I	H	M	N
2501	297.5	50	110	60	80	307	63	135	72	95
2502	345.5					355				
2503	393.5					403				
2504	441.5					451				

CHPL	CHM 75					CHM 90				
	Lv	I	H	M	N	Lv	I	H	M	N
2501	286	75	161	86	112.5	296	90	193	103	129.5
2502	334					344				
2503	382					392				
2504	430					440				



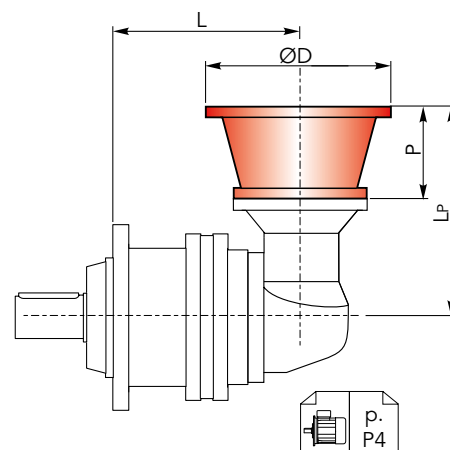
CHPL/CHPLB 2500

CHPLB 2500 CPC - Flange motori IEC

CHPLB 2500 CPC - IEC Motor flanges

CHPLB	IEC 63				IEC 71				IEC 80				IEC 90			
	L	LP	P	ØD	L	LP	P	ØD	L	LP	P	ØD	L	LP	P	ØD
2502	247				247				247				247			
2503	295	196	36	140	295	196	36	160	295	216	56	200	295	216	56	200
2504	343				343				343				343			

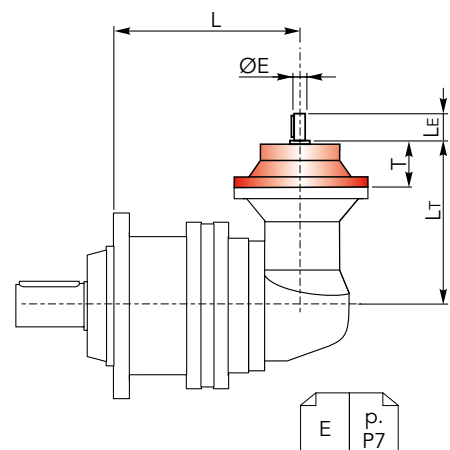
CHPLB	IEC 100				IEC 112				IEC 132				IEC 160			
	L	LP	P	ØD	L	LP	P	ØD	L	LP	P	ØD	L	LP	P	ØD
2502	247				247				247	260	100	300	247	299	139	350
2503	295	226	66	250	295	226	66	250	295				295			
2504	343				343				343				343			



CHPLB 2500 CPC - Alberi maschi entrata

CHPL 2500 CPC - Male input shafts

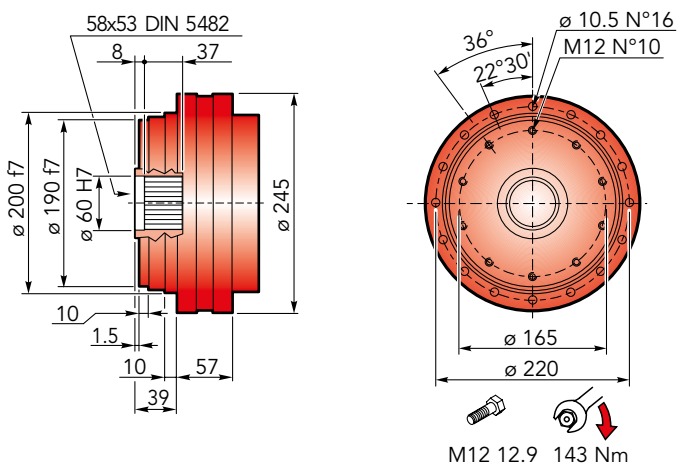
CHPLB	CM42					CM65					CP65				
	L	LT	T	LE	ØE	L	LT	T	LE	ØE	L	LT	T	LE	ØE
2502	247					247					247				
2503	295	253	93	82	42 h6	295	297.5	121.5	105	65 h6	295	329	153	105	65 h6
2504	343					343					343				



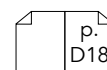


DIMENSIONI CF

CF DIMENSIONS



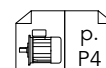
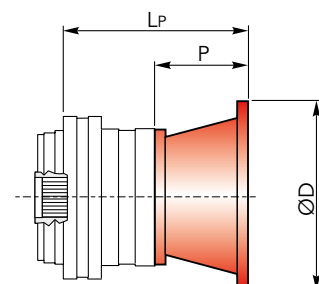
Accessori  
Accessories



CHPL 2500 CF - Flange motori IEC

CHPL 2500 CF- IEC Motor flanges

CHPL	IEC 63			IEC 71			IEC 80			IEC 90			IEC 100		
	LP	P	ØD	LP	P	ØD	LP	P	ØD	LP	P	ØD	LP	P	ØD
2501	114.5	36	140	114.5	36	160	134.5	56	200	134.5	56	200	144.5	66	250
2502	162.5			162.5			182.5			182.5			192.5		
2503	210.5			210.5			230.5			230.5			240.5		
2504	258.5			258.5			278.5			278.5			288.5		

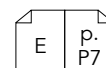
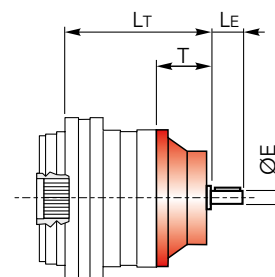


CHPL	IEC 112			IEC 132			IEC 160			IEC 180		
	LP	P	ØD	LP	P	ØD	LP	P	ØD	LP	P	ØD
2501	144.5	66	250	178.5	100	300	217.5	139	350	217.5	139	350
2502	192.5			226.5			265.5			-		
2503	240.5			274.5			-			-		
2504	288.5			-			-			-		

CHPL 2500 CF - Alberi maschi entrata

CHPL 2500 CF - Male input shafts

CHPL	CM42				CM65				CP65			
	LT	T	LE	ØE	LT	T	LE	ØE	LT	T	LE	ØE
2501	171.5	93	82	42 h6	213.5	121.5	105	65 h6	245	153	105	65 h6
2502	219.5				-	-	-					
2503	267.5				-	-	-					
2504	315.5				-	-	-					





# CHPL/CHPLB 2500 CF

D13

## DIMENSIONI CF

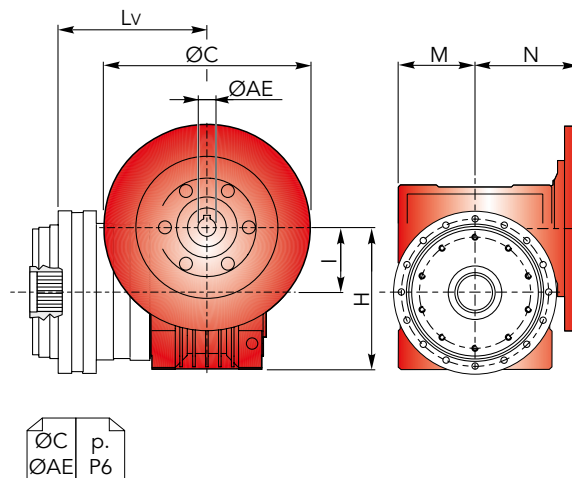
## CF DIMENSIONS

CHPL 2500 CF - Riduttore a vite senza fine CHM in entrata

CHPL 2500 CF - CHM input worm gearboxes

CHPL	CHM 50					CHM 63				
	Lv	I	H	M	N	Lv	I	H	M	N
2501	204	50	110	60	80	213.5	63	135	72	95
2502	252					261.5				
2503	300					309.5				
2504	348					357.5				

CHPL	CHM 75					CHM 90				
	Lv	I	H	M	N	Lv	I	H	M	N
2501	192.5	75	161	86	112.5	202.5	90	193	103	129.5
2502	240.5					250.5				
2503	288.5					298.5				
2504	336.5					346.5				



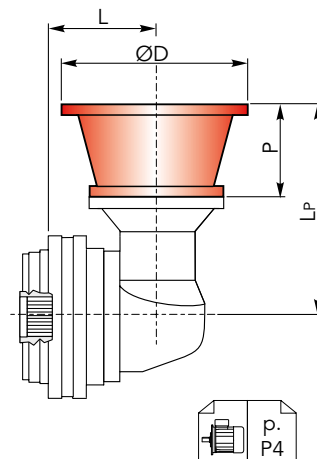
CHPL/CHPLB 2500

CHPLB 2500 CF - Flange motori IEC

CHPLB 2500 CF - IEC Motor flanges

CHPLB	IEC 63				IEC 71				IEC 80				IEC 90			
	L	LP	P	ØD	L	LP	P	ØD	L	LP	P	ØD	L	LP	P	ØD
2502	191	196	36	140	191	196	36	160	191	216	56	200	191	216	56	200
2503	239				239				239							
2504	287				287				287							

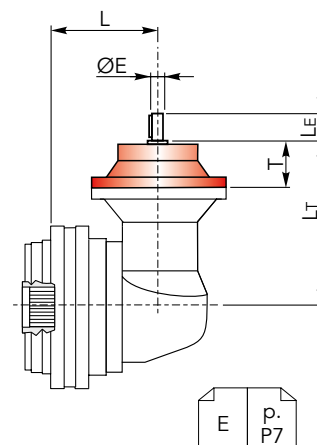
CHPLB	IEC 100				IEC 112				IEC 132				IEC 160			
	L	LP	P	ØD	L	LP	P	ØD	L	LP	P	ØD	L	LP	P	ØD
2502	191	226	66	250	191	226	66	250	191	260	100	300	191	299	139	350
2503	239				239				239				-			
2504	287				287				287				-			



CHPLB 2500 CF - Alberi maschi entrata

CHPL 2500 CF - Male input shafts

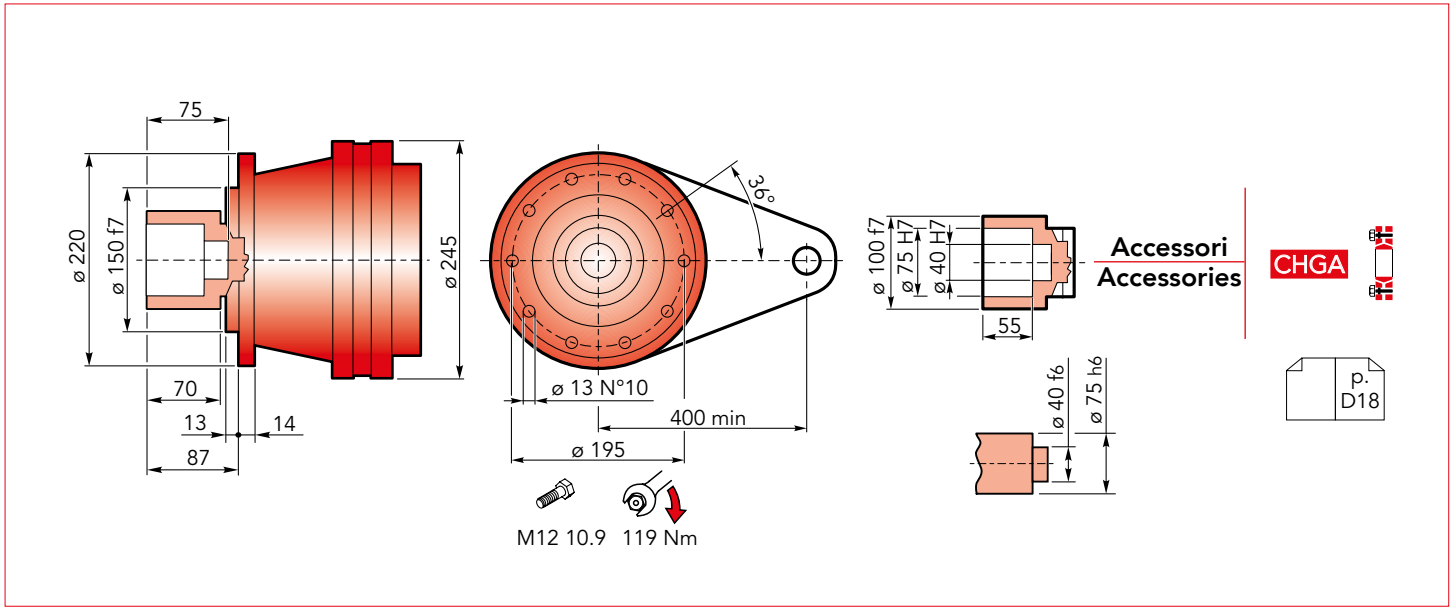
CHPLB	CM42					CM65					CP65				
	L	LT	T	LE	ØE	L	LT	T	LE	ØE	L	LT	T	LE	ØE
2502	191	253	93	82	42 h6	191	297.5	121.5	105	65 h6	191	329	153	105	65 h6
2503	239					239					239				
2504	287					287					287				





DIMENSIONI CFS

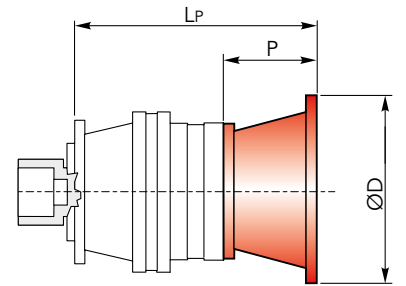
CFS DIMENSIONS



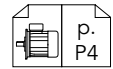
CHPL 2500 CFS - Flange motori IEC

CHPL 2500 CFS- IEC Motor flanges

CHPL	IEC 63			IEC 71			IEC 80			IEC 90			IEC 100		
	LP	P	ØD	LP	P	ØD	LP	P	ØD	LP	P	ØD	LP	P	ØD
2501	201	36	140	201	36	160	221	56	200	221	56	200	231	66	250
2502	249			249			269			269			279		
2503	297			297			317			317			327		
2504	345			345			365			365			375		



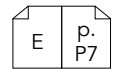
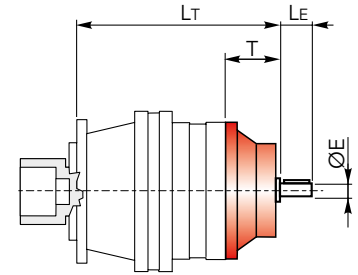
CHPL	IEC 112			IEC 132			IEC 160			IEC 180		
	LP	P	ØD	LP	P	ØD	LP	P	ØD	LP	P	ØD
2501	231	66	250	265	100	300	304	139	350	304	139	350
2502	279			313			352			-		
2503	327			361			-			-		
2504	375			-			-			-		



CHPL 2500 CFS - Alberi maschi entrata

CHPL 2500 CFS - Male input shafts

CHPL	CM42				CM65				CP65			
	LT	T	LE	ØE	LT	T	LE	ØE	LT	T	LE	ØE
2501	258	93	82	42 h6	300	121.5	105	65 h6	331.5	153	105	65 h6
2502	306				-	-						
2503	354				-	-						
2504	402				-	-						





# CHPL/CHPLB 2500 CFS

D15

## DIMENSIONI CFS

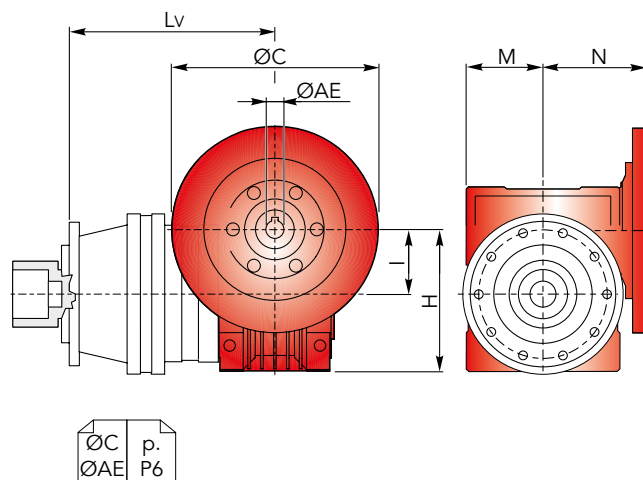
## CFS DIMENSIONS

CHPL 2500 CFS - Riduttore a vite senza fine CHM in entrata

CHPL 2500 CFS - CHM input worm gearboxes

CHPL	CHM 50					CHM 63				
	Lv	I	H	M	N	Lv	I	H	M	N
2501	290.5	50	110	60	80	300	63	135	72	95
2502	338.5					348				
2503	386.5					396				
2504	434.5					444				

CHPL	CHM 75					CHM 90				
	Lv	I	H	M	N	Lv	I	H	M	N
2501	279	75	161	86	112.5	289	90	193	103	129.5
2502	327					337				
2503	375					385				
2504	423					433				



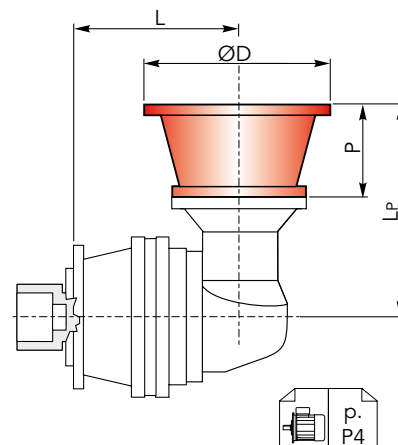
CHPL/CHPLB 2500

CHPLB 2500 CFS - Flange motori IEC

CHPLB 2500 CFS - IEC Motor flanges

CHPLB	IEC 63				IEC 71				IEC 80				IEC 90			
	L	LP	P	ØD	L	LP	P	ØD	L	LP	P	ØD	L	LP	P	ØD
2502	240				240				240				240			
2503	288	196	36	140	288	196	36	160	288	216	56	200	288	216	56	200
2504	336				336				336				336			

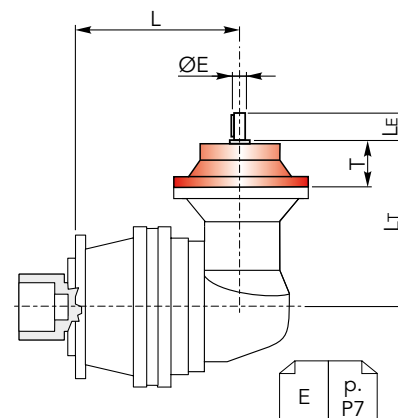
CHPLB	IEC 100				IEC 112				IEC 132				IEC 160			
	L	LP	P	ØD	L	LP	P	ØD	L	LP	P	ØD	L	LP	P	ØD
2502	240				240				240				240	299	139	350
2503	288	226	66	250	288	226	66	250	288	260	100	300	-			
2504	336				336				-				-			



CHPLB 2500 CFS - Alberi maschi entrata

CHPL 2500 CFS - Male input shafts

CHPLB	CM42					CM65					CP65				
	L	LT	T	LE	ØE	L	LT	T	LE	ØE	L	LT	T	LE	ØE
2502	240					240					240				
2503	288	253	93	82	42 h6	288	297.5	121.5	105	65 h6	288	329	153	105	65 h6
2504	336					336					336				



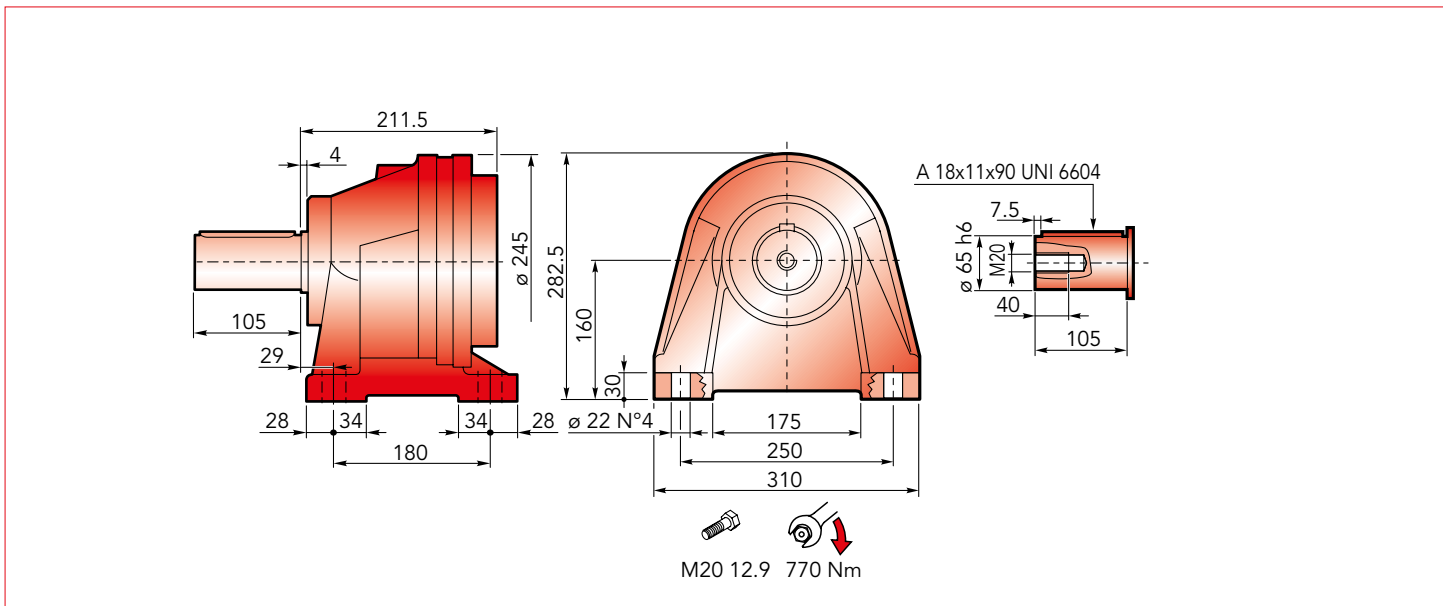
# CHPL/CHPLB 2500 CCPC



CHPL/CHPLB 2500

## DIMENSIONI CCPC

## CCPC DIMENSIONS



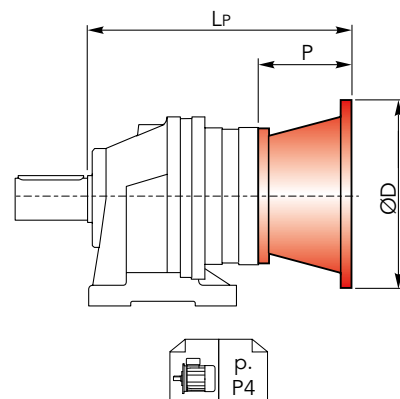
### CHPL 2500 CCPC - Flange motori IEC

### CHPL 2500 CCPC- IEC Motor flanges

CHPL	IEC 63			IEC 71			IEC 80			IEC 90			IEC 100		
	LP	P	ØD	LP	P	ØD	LP	P	ØD	LP	P	ØD	LP	P	ØD
2501	247.5	36	140	247.5	36	160	267.5	56	200	267.5	56	200	277.5	66	250
2502	295.5			295.5			315.5			315.5			325.5		
2503	343.5			343.5			363.5			363.5			373.5		
2504	391.5			391.5			411.5			411.5			421.5		

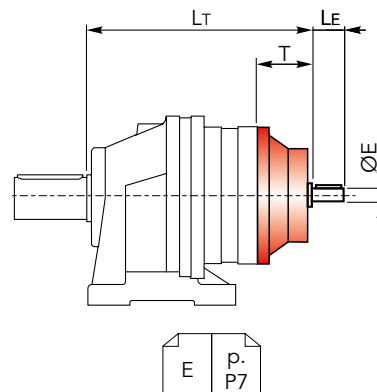
CHPL	IEC 112			IEC 132			IEC 160			IEC 180		
	LP	P	ØD	LP	P	ØD	LP	P	ØD	LP	P	ØD
2501	277.5	66	250	311.5	100	300	350.5	139	350	350.5	139	350
2502	325.5			359.5			398.5			-		
2503	373.5			407.5			-			-		
2504	421.5			-			-			-		



### CHPL 2500 CCPC - Alberi maschi entrata

### CHPL 2500 CCPC - Male input shafts

CHPL	CM42				CM65				CP65			
	LT	T	LE	ØE	LT	T	LE	ØE	LT	T	LE	ØE
2501	304.5	93	82	42 h6	346.5	121.5	105	65 h6	378	153	105	65 h6
2502	352.5				-	-	-					
2503	400.5				-	-	-					
2504	448.5				-	-	-					







# CHPL/CHPLB 2500 CCPC

D17

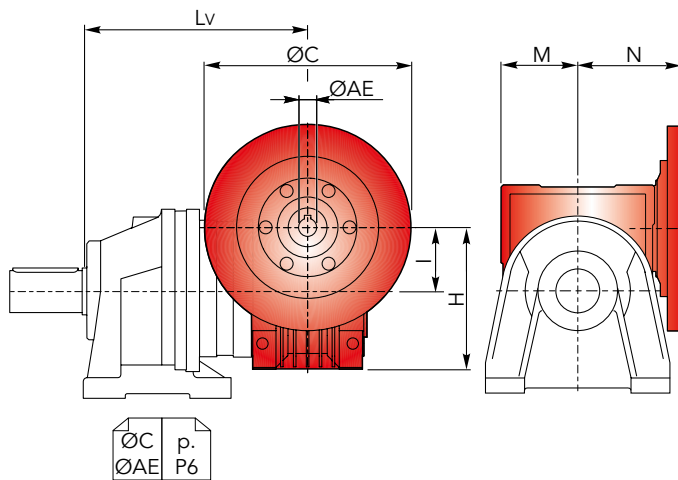
## DIMENSIONI CCPC

## CCPC DIMENSIONS

CHPL 2500 CCPC - Riduttore a vite senza fine CHM in entrata CHPL 2500 CCPC - CHM input worm gearboxes

CHPL	CHM 50					CHM 63				
	Lv	I	H	M	N	Lv	I	H	M	N
2501	337	50	110	60	80	346.5	63	135	72	95
2502	385					394.5				
2503	433					442.5				
2504	481					490.5				

CHPL	CHM 75					CHM 90				
	Lv	I	H	M	N	Lv	I	H	M	N
2501	325.5	75	161	86	112.5	335.5	90	193	103	129.5
2502	373.5					383.5				
2503	421.5					431.5				
2504	469.5					479.5				



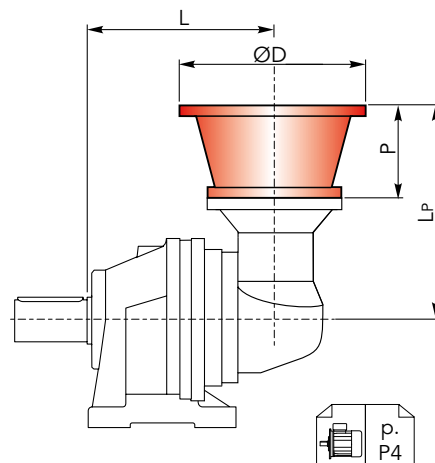
CHPL/CHPLB 2500

## CHPLB 2500 CCPC - Flange motori IEC

## CHPLB 2500 CCPC - IEC Motor flanges

CHPLB	IEC 63				IEC 71				IEC 80				IEC 90			
	L	Lp	P	ØD	L	Lp	P	ØD	L	Lp	P	ØD	L	Lp	P	ØD
2502	286.5	196	36	140	286.5	196	36	160	286.5	216	56	200	286.5	216	56	200
2503	334.5				334.5				334.5							
2504	382.5				382.5				382.5							

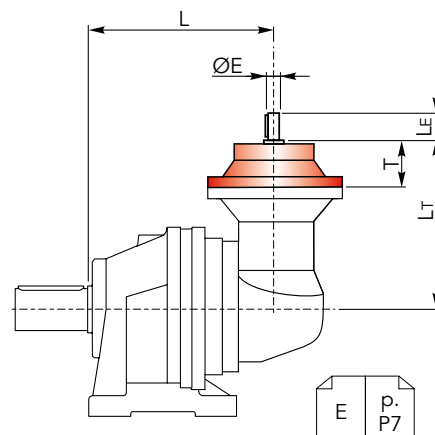
CHPLB	IEC 100				IEC 112				IEC 132				IEC 160			
	L	Lp	P	ØD	L	Lp	P	ØD	L	Lp	P	ØD	L	Lp	P	ØD
2502	286.5	226	66	250	286.5	226	66	250	286.5	260	100	300	286.5	299	139	350
2503	334.5				334.5				-							
2504	382.5				382.5				-							



## CHPLB 2500 CCPC - Alberi maschi entrata

## CHPL 2500 CCPC - Male input shafts

CHPLB	CM42					CM65					CP65				
	L	Lt	T	Le	ØE	L	Lt	T	Le	ØE	L	Lt	T	Le	ØE
2502	286.5	253	93	82	42 h6	286.5	297.5	121.5	105	65 h6	286.5	329	153	105	65 h6
2503	334.5					334.5					334.5				
2504	382.5					382.5					382.5				



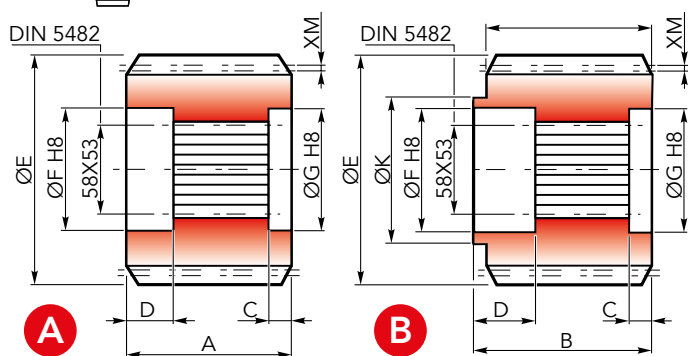


CHPL/CHPLB 2500

ACCESSORI

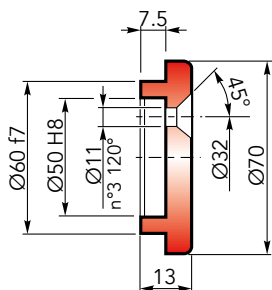
ACCESSORIES

**CHYZ** Pignoni / Pinions



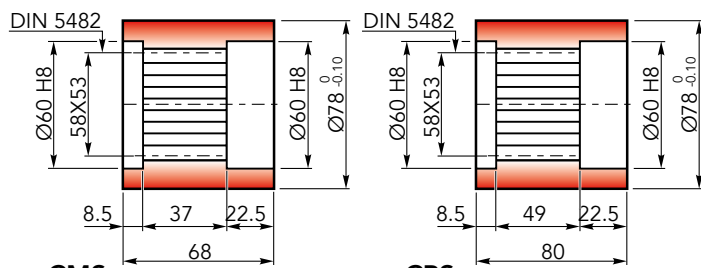
	Uscita / Output	M	Z	XM	A	B	C	D	E	F	G	K	Codice / Code
<b>A</b>	CMS	8	13	0	68	-	8.5	22.5	120	60	60	-	1071.218.042
	CMS	8	11	5	68	-	8.5	22.5	110.8	60	60	-	1071.258.042
	CMS	8	12	0	68	-	8	21	112.8	60	60	-	1071.196.042
	CMS	8	15	0	686	-	8.5	22.5	136	60	60	-	1071.163.042
	CPS	6	14	3	95	.	23	21	99.6	60	60	-	1071.160.042
	CPS	10	11	8	90	-	8.5	22.5	142.1	60	60	-	1071.297.042
<b>B</b>	CPS	10	14	3.2	103	116	9.5	22.5	162.4	60	60	105	1071.298.042

**CHFF** Fondello di arresto / Stop bottom plate



Codice / Code:  
1075.015.000

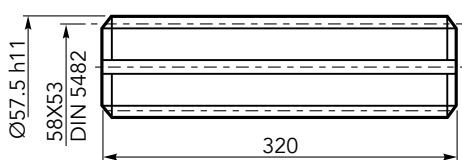
**CHBS** Boccola scanalata / Splined bushing



**CMS**  
Codice / Code:  
2171.101.076

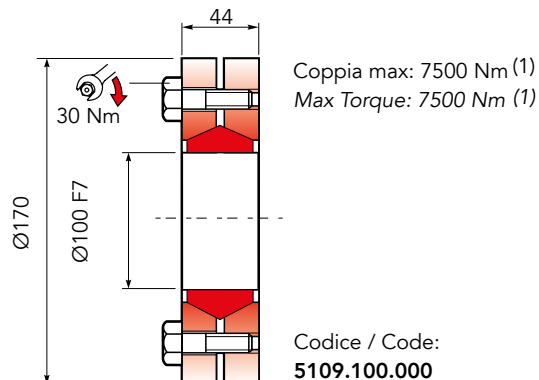
**CPS**  
Codice / Code:  
4171.101.076

**CHKB** Barra scanalata / Splined rod



Codice / Code:  
3071.181.042

**CHGA** Giunto di attrito / Shrink disc



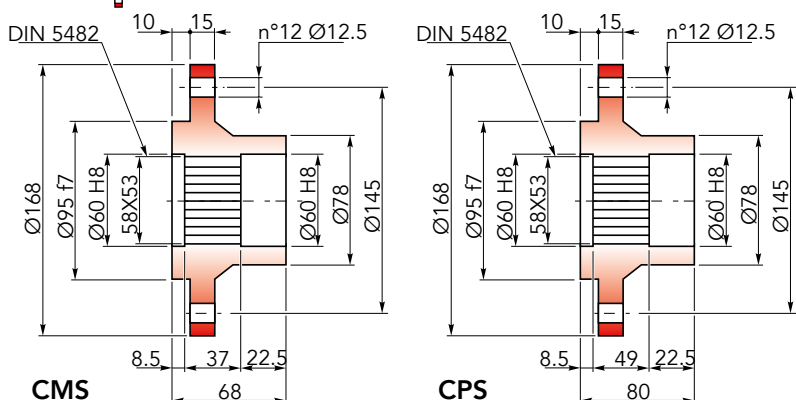
Coppia max: 7500 Nm (1)  
Max Torque: 7500 Nm (1)

Codice / Code:  
5109.100.000

(1): Coppia max indicata è valida solo con calettatori forniti da Chiaravalli S.p.A.

(1): The maximum torque indicated is valid only with shrink discs supplied by Chiaravalli S.p.A.

**CHFL** Flangia / Flange



**CMS**  
Codice / Code:  
2171.103.025

**CPS**  
Codice / Code:  
4171.103.098

