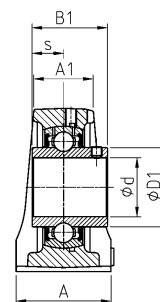
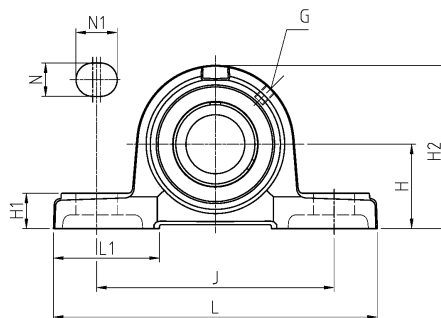
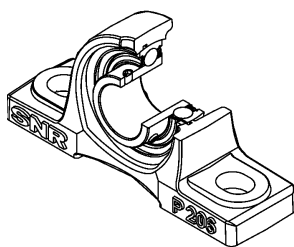


Pillow block unit

Housing

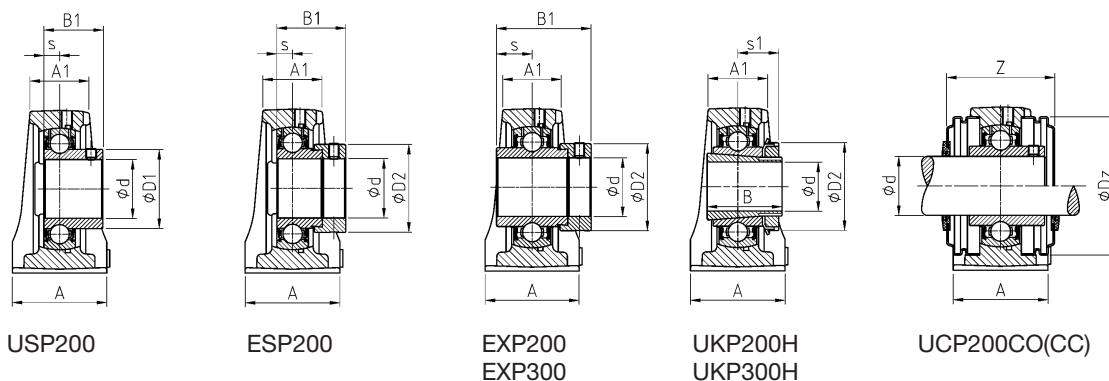
P200 relubricatable

P300 relubricatable

UCP200
UCP300Shaft diameter
Unit

Main dimensions [mm]

d [mm]		L	H	A1	A	J	N	N1	L1	H1	H2	s1	B	B1	s
12	UCP201	127	33,3	22	38	95	13	19	42	15	65	-	-	31,0	12,7
	USP201	127	30,2	22	38	95	13	19	42	15	62	-	-	22,0	6,0
	ESP201	127	30,2	22	38	95	13	19	42	15	62	-	-	28,6	6,5
	EXP201	127	33,3	22	38	95	13	19	42	15	65	-	-	43,5	17,0
15	UCP202	127	33,3	22	38	95	13	19	42	15	65	-	-	31,0	12,7
	USP202	127	30,2	22	38	95	13	19	42	15	62	-	-	22,0	6,0
	ESP202	127	30,2	22	38	95	13	19	42	15	62	-	-	28,6	6,5
	EXP202	127	33,3	22	38	95	13	19	42	15	65	-	-	43,5	17,0
17	UCP203	127	33,3	22	38	95	13	19	42	15	65	-	-	31,0	12,7
	USP203	127	30,2	22	38	95	13	19	42	15	62	-	-	22,0	6,0
	ESP203	127	30,2	22	38	95	13	19	42	15	62	-	-	28,6	6,5
	EXP203	127	33,3	22	38	95	13	19	42	15	65	-	-	43,5	17,0
20	UCP204	127	33,3	22	38	95	13	19	42	15	65	-	-	31,0	12,7
	USP204	127	33,3	22	38	95	13	19	42	15	65	-	-	25,0	7,0
	ESP204	127	33,3	22	38	95	13	19	42	15	65	-	-	30,9	7,5
	EXP204	127	33,3	22	38	95	13	19	42	15	65	-	-	43,5	17,0
	UKP205H	140	36,5	26	38	105	13	19	42	16	70	18,5	35,0	-	-
	UKP305H	175	45,0	32	45	132	17	20	54	15	85	21,5	35,0	-	-
25	UCP205	140	36,5	26	38	105	13	19	42	16	70	-	-	34,0	14,3
	USP205	140	36,5	26	38	105	13	19	42	16	70	-	-	27,0	7,5
	ESP205	140	36,5	26	38	105	13	19	42	16	70	-	-	30,9	7,5
	EXP205	140	36,5	26	38	105	13	19	42	16	70	-	-	44,3	17,4
	UKP206H	165	42,9	30	48	121	17	21	54	18	83	20,5	38,0	-	-
	UCP305	175	45,0	32	45	132	17	20	54	15	85	-	-	38,0	15,0
	EXP305	175	45,0	32	45	132	17	20	54	15	85	-	-	46,8	16,7
	UKP306H	180	50,0	36	50	140	17	20	54	18	95	23,0	38,0	-	-
30	UCP206	165	42,9	30	48	121	17	21	54	18	83	-	-	38,1	15,9
	USP206	165	42,9	30	48	121	17	21	54	18	83	-	-	30,0	8,0
	ESP206	165	42,9	30	48	121	17	21	54	18	83	-	-	35,7	9,0
	EXP206	165	42,9	30	48	121	17	21	54	18	83	-	-	48,3	18,2
	UKP207H	167	47,6	31	48	127	17	21	54	19	94	22,5	43,0	-	-
	UCP306	180	50,0	36	50	140	17	20	54	18	95	-	-	43,0	17,0
	EXP306	180	50,0	36	50	140	17	20	54	18	95	-	-	50,0	17,5
	UKP307H	210	56,0	38	56	160	17	25	60	20	106	25,5	43,0	-	-



USP200

ESP200

EXP200
EXP300UKP200H
UKP300H

UCP200CO(CC)

					Housing	Bearing insert	Open protec- tive caps *	Closed protec- tive caps **	Dynamic load rating	Static load rating	Weight	Shaft diameter
D1	D2	G	Z	Dz					C _r [kN]	C _{0r} [kN]	[kg]	d [mm]
29,0	-	M6x1	45,0	54,0	P204	UC201	CO	CC	12,80	6,65	0,7	12
24,6	-	M6x1	45,0	46,0	P203	US201	CO	CC	9,55	4,78	0,7	
-	28,6	M6x1	***	***	P203	ES201	***	***	9,55	4,78	0,7	
-	33,3	M6x1	***	***	P204	EX201	***	***	12,80	6,65	0,8	
29,0	-	M6x1	45,0	54,0	P204	UC202	CO	CC	12,80	6,65	0,7	15
24,6	-	M6x1	45,0	46,0	P203	US202	CO	CC	9,55	4,78	0,6	
-	28,6	M6x1	***	***	P203	ES202	***	***	9,55	4,78	0,7	
-	33,3	M6x1	***	***	P204	EX202	***	***	12,80	6,65	0,8	
29,0	-	M6x1	45,0	54,0	P204	UC203	CO	CC	12,80	6,65	0,7	17
24,6	-	M6x1	45,0	46,0	P203	US203	CO	CC	9,55	4,78	0,6	
-	28,6	M6x1	***	***	P203	ES203	***	***	9,55	4,78	0,7	
-	33,3	M6x1	***	***	P204	EX203	***	***	12,80	6,65	0,8	
29,0	-	M6x1	45,0	54,0	P204	UC204	CO	CC	12,80	6,65	0,7	20
29,0	-	M6x1	45,0	54,0	P204	US204	CO	CC	12,80	6,65	0,7	
-	33,3	M6x1	***	***	P204	ES204	***	***	12,80	6,65	0,7	
-	33,3	M6x1	***	***	P204	EX204	***	***	12,80	6,65	0,8	
-	38,0	M6x1	48,0	60,0	P205	UK205 + H2305	CO	CC	14,00	7,88	0,8	
-	38,0	M6x1	-	-	P305	UK305 + H2305	-	-	22,36	11,50	1,6	
34,0	-	M6x1	48,0	60,0	P205	UC205	CO	CC	14,00	7,88	0,8	25
34,0	-	M6x1	48,0	60,0	P205	US205	CO	CC	14,00	7,88	0,8	
-	38,1	M6x1	***	***	P205	ES205	***	***	14,00	7,88	0,8	
-	38,1	M6x1	***	***	P205	EX205	***	***	14,00	7,88	0,9	
-	45,0	M6x1	53,0	70,0	P206	UK206 + H2306	CO	CC	19,50	11,20	1,4	
35,4	-	M6x1	-	-	P305	UC305	-	-	22,36	11,50	1,4	
-	42,8	M6x1	-	-	P305	EX305	-	-	22,36	11,50	1,5	
-	45,0	M6x1	-	-	P306	UK306 + H2306	-	-	27,00	15,20	2,0	
40,3	-	M6x1	53,0	70,0	P206	UC206	CO	CC	19,50	11,20	1,4	30
40,3	-	M6x1	53,0	70,0	P206	US206	CO	CC	19,50	11,20	1,3	
-	44,5	M6x1	***	***	P206	ES206	***	***	19,50	11,20	1,4	
-	44,5	M6x1	***	***	P206	EX206	***	***	19,50	11,20	1,5	
-	52,0	M6x1	60,0	80,0	P207	UK207 + H2307	CO	CC	25,70	15,20	1,8	
44,6	-	M6x1	-	-	P306	UC306	-	-	27,00	15,20	1,9	
-	50,0	M6x1	-	-	P306	EX306	-	-	27,00	15,20	2,1	
-	52,0	M6x1	-	-	P307	UK307 + H2307	-	-	33,50	19,20	2,8	

* = Equipped with two open protective caps for passing shafts: Suffix CO see example on page 6

** = Equipped with one open and one closed protective cap for shaft ends: Suffix CC see example on page 6

*** = Protective caps for bearing inserts with eccentric locking collar available on request.

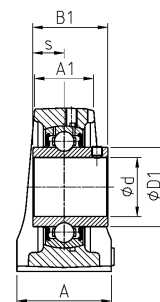
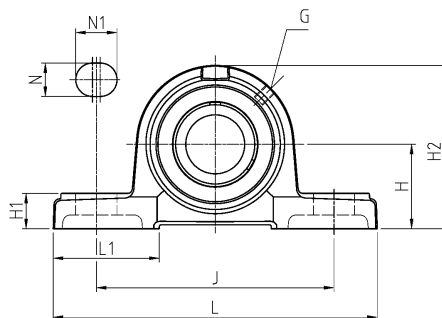
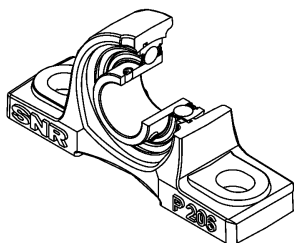


Pillow block unit

Housing

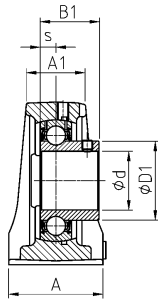
P200 relubricatable

P300 relubricatable

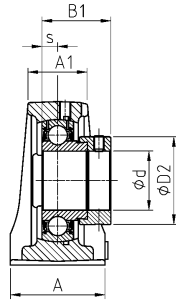
UCP200
UCP300Shaft diameter
Unit

Main dimensions [mm]

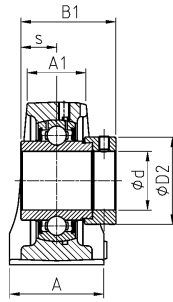
d [mm]		L	H	A1	A	J	N	N1	L1	H1	H2	s1	B	B1	s
35	UCP207	167	47,6	31	48	127	17	21	54	19	94	-	-	42,9	17,5
	USP207	167	47,6	31	48	127	17	21	54	19	94	-	-	32,0	8,5
	ESP207	167	47,6	31	48	127	17	21	54	19	94	-	-	38,9	9,5
	EXP207	167	47,6	31	48	127	17	21	54	19	94	-	-	51,1	18,8
	UKP208H	184	49,2	34	54	137	17	23	52	19	100	24,5	46,0	-	-
	UCP307	210	56,0	38	56	160	17	25	60	20	106	-	-	48,0	19,0
	EXP307	210	56,0	38	56	160	17	25	60	20	106	-	-	51,6	18,3
	UKP308H	220	60,0	42	60	170	17	27	60	22	116	27,5	46,0	-	-
40	UCP208	184	49,2	34	54	137	17	23	52	19	100	-	-	49,2	19,0
	USP208	184	49,2	34	54	137	17	23	52	19	100	-	-	34,0	9,0
	ESP208	184	49,2	34	54	137	17	23	52	19	100	-	-	43,7	11,0
	EXP208	184	49,2	34	54	137	17	23	52	19	100	-	-	56,3	21,4
	UKP209H	190	54,0	37	54	146	17	23	60	20	108	26,0	50,0	-	-
	UCP308	220	60,0	42	60	170	17	27	60	22	116	-	-	52,0	19,0
	EXP308	220	60,0	42	60	170	17	27	60	22	116	-	-	57,1	19,8
	UKP309H	245	67,0	45	67	190	20	30	65	24	129	30,0	50,0	-	-
45	UCP209	190	54,0	37	54	146	17	23	60	20	108	-	-	49,2	19,0
	USP209	190	54,0	37	54	146	17	23	60	20	108	-	-	41,2	10,2
	ESP209	190	54,0	37	54	146	17	23	60	20	108	-	-	43,7	11,0
	EXP209	190	54,0	37	54	146	17	23	60	20	108	-	-	56,3	21,4
	UKP210H	206	57,2	39	60	159	20	25	65	22	114	27,5	55,0	-	-
	UCP309	245	67,0	45	67	190	20	30	65	24	129	-	-	57,0	22,0
	EXP309	245	67,0	45	67	190	20	30	65	24	129	-	-	58,7	19,8
	UKP310H	275	75,0	48	75	212	20	35	75	27	143	32,0	55,0	-	-
50	UCP210	206	57,2	39	60	159	20	25	65	22	114	-	-	51,6	19,0
	USP210	206	57,2	39	60	159	20	25	65	22	114	-	-	43,5	10,9
	ESP210	206	57,2	39	60	159	20	25	65	22	114	-	-	43,7	11,0
	EXP210	206	57,2	39	60	159	20	25	65	22	114	-	-	62,7	24,6
	UKP211H	219	63,5	40	60	171	20	25	70	22	126	29,0	59,0	-	-
	UCP310	275	75,0	48	75	212	20	35	75	27	143	-	-	61,0	22,0
	EXP310	275	75,0	48	75	212	20	35	75	27	143	-	-	66,6	24,6
	UKP311H	310	80,0	51	80	236	20	38	85	30	154	34,0	59,0	-	-



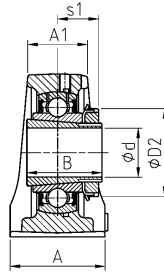
USP200



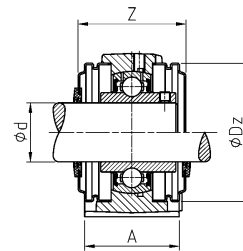
ESP200



EXP200
EXP300



UKP200H
UKP300H



UCP200CO(CC)

					Housing	Bearing insert	Open protec- tive caps *	Closed protec- tive caps **	Dynamic load rating	Static load rating	Weight	Shaft diameter
D1	D2	G	Z	Dz					C _r [kN]	C _{0r} [kN]	[kg]	d [mm]
48,0	-	M6x1	60,0	80,0	P207	UC207	CO	CC	25,70	15,20	1,8	35
48,0	-	M6x1	60,0	80,0	P207	US207	CO	CC	25,70	15,20	1,7	
-	55,6	M6x1	***	***	P207	ES207	***	***	25,70	15,20	1,8	
-	55,6	M6x1	***	***	P207	EX207	***	***	25,70	15,20	1,9	
-	58,0	M6x1	69,0	88,0	P208	UK208 + H2308	CO	CC	29,60	18,20	2,2	
48,9	-	M6x1	-	-	P307	UC307	-	-	33,50	19,20	2,6	
-	55,0	M6x1	-	-	P307	EX307	-	-	33,50	19,20	2,7	
-	58,0	M6x1	-	-	P308	UK308 + H2308	-	-	40,56	24,00	3,4	
53,0	-	M6x1	69,0	88,0	P208	UC208	CO	CC	29,60	18,20	2,1	40
53,0	-	M6x1	69,0	88,0	P208	US208	CO	CC	29,60	18,20	2,1	
-	60,3	M6x1	***	***	P208	ES208	***	***	29,60	18,20	2,1	
-	60,3	M6x1	***	***	P208	EX208	***	***	29,60	18,20	2,3	
-	65,0	M6x1	69,0	95,0	P209	UK209 + H2309	CO	CC	31,85	20,80	2,5	
56,5	-	M6x1	-	-	P308	UC308	-	-	40,56	24,00	3,3	
-	63,5	M6x1	-	-	P308	EX308	-	-	40,56	24,00	3,5	
-	65,0	M6x1	-	-	P309	UK309 + H2309	-	-	53,00	31,80	4,8	
57,2	-	M6x1	69,0	95,0	P209	UC209	CO	CC	31,85	20,80	2,4	45
57,2	-	M6x1	69,0	95,0	P209	US209	CO	CC	31,85	20,80	2,4	
-	63,5	M6x1	***	***	P209	ES209	***	***	31,85	20,80	2,4	
-	63,5	M6x1	***	***	P209	EX209	***	***	31,85	20,80	2,6	
-	70,0	M6x1	76,0	100,0	P210	UK210 + H2310	CO	CC	35,10	23,20	3,1	
61,8	-	M6x1	-	-	P309	UC309	-	-	53,00	31,80	4,6	
-	70,0	M6x1	-	-	P309	EX309	-	-	53,00	31,80	4,7	
-	70,0	M6x1	-	-	P310	UK310 + H2310	-	-	62,00	37,80	6,2	
61,8	-	M6x1	76,0	100,0	P210	UC210	CO	CC	35,10	23,20	3,0	50
61,8	-	M6x1	76,0	100,0	P210	US210	CO	CC	35,10	23,20	2,9	
-	69,9	M6x1	***	***	P210	ES210	***	***	35,10	23,20	3,0	
-	69,9	M6x1	***	***	P210	EX210	***	***	35,10	23,20	3,2	
-	75,0	M6x1	77,0	110,0	P211	UK211 + H2311	CO	CC	43,55	29,20	3,7	
68,7	-	M6x1	-	-	P310	UC310	-	-	62,00	37,80	6,1	
-	76,2	M6x1	-	-	P310	EX310	-	-	62,00	37,80	6,3	
-	75,0	M6x1	-	-	P311	UK311 + H2311	-	-	71,50	44,80	7,9	

* = Equipped with two open protective caps for passing shafts: Suffix CO see example on page 6

** = Equipped with one open and one closed protective cap for shaft ends: Suffix CC see example on page 6

*** = Protective caps for bearing inserts with eccentric locking collar available on request.



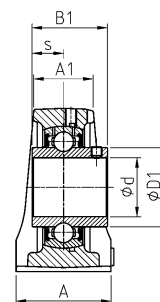
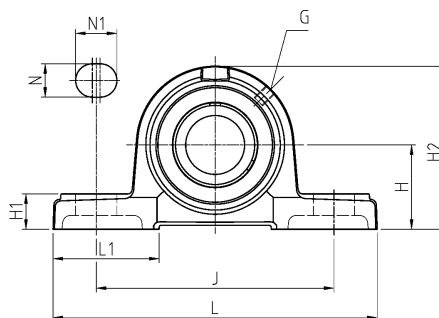
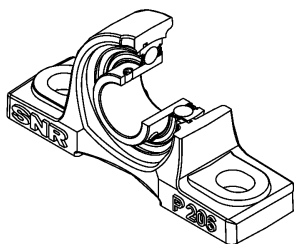


Pillow block unit

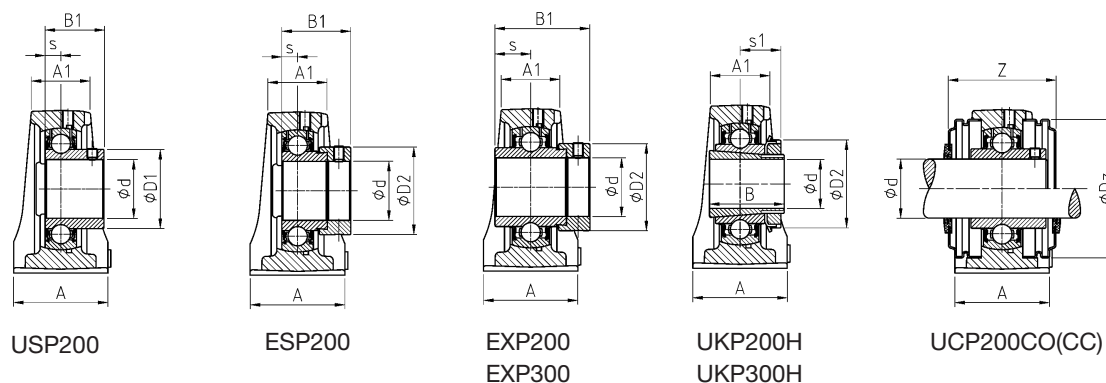
Housing

P200 relubricatable

P300 relubricatable

UCP200
UCP300

Shaft diameter Unit		Main dimensions [mm]													
		d [mm]	L	H	A1	A	J	N	N1	L1	H1	H2	s1	B	B1
55	UCP211	219	63,5	40	60	171	20	25	70	22	126	-	-	55,6	22,2
	USP211	219	63,5	40	60	171	20	25	70	22	126	-	-	45,3	11,8
	ESP211	219	63,5	40	60	171	20	25	70	22	126	-	-	48,4	12,0
	EXP211	219	63,5	40	60	171	20	25	70	22	126	-	-	71,3	27,7
	UKP212H	241	69,8	44	70	184	20	25	70	25	138	31,0	62,0	-	-
	UCP311	310	80,0	51	80	236	20	38	85	30	154	-	-	66,0	25,0
	EXP311	310	80,0	51	80	236	20	38	85	30	154	-	-	73,0	27,8
	UKP312H	330	85,0	54	85	250	25	38	95	32	165	36,5	62,0	-	-
60	UCP212	241	69,8	44	70	184	20	25	70	25	138	-	-	65,1	25,4
	USP212	241	69,8	44	70	184	20	25	70	25	138	-	-	53,7	14,9
	ESP212	241	69,8	44	70	184	20	25	70	25	138	-	-	49,3	12,0
	EXP212	241	69,8	44	70	184	20	25	70	25	138	-	-	77,7	30,9
	UKP213H	265	76,2	46	70	203	25	29	77	27	150	32,0	65,0	-	-
	UCP312	330	85,0	54	85	250	25	38	95	32	165	-	-	71,0	26,0
	EXP312	330	85,0	54	85	250	25	38	95	32	165	-	-	79,4	31,0
	UKP313H	340	90,0	57	90	260	25	38	105	33	176	38,5	65,0	-	-
65	UCP213	265	76,2	46	70	203	25	29	77	27	150	-	-	65,1	25,4
	EXP213	265	76,2	46	70	203	25	29	77	27	150	-	-	85,7	34,1
	UKP215H	275	82,6	48	74	217	25	31	85	28	163	35,5	73,0	-	-
	UCP313	340	90,0	57	90	260	25	38	105	33	176	-	-	75,0	30,0
	EXP313	340	90,0	57	90	260	25	38	105	33	176	-	-	85,7	32,5
	UKP315H	380	100,0	63	100	290	27	40	110	35	198	42,5	73,0	-	-
70	UCP214	266	79,4	48	72	210	25	31	83	27	156	-	-	74,6	30,2
	EXP214	266	79,4	48	72	210	25	31	83	27	156	-	-	85,7	34,1
	UKP216H	292	88,9	51	78	232	25	31	91	30	175	39,0	78,0	-	-
	UCP314	360	95,0	60	90	280	27	40	105	35	187	-	-	78,0	33,0
	EXP314	360	95,0	60	90	280	27	40	105	35	187	-	-	92,1	34,2
	UKP316H	400	106,0	66	110	300	27	40	110	40	210	44,5	78,0	-	-
75	UCP215	275	82,6	48	74	217	25	31	85	28	163	-	-	77,8	33,3
	EXP215	275	82,6	48	74	217	25	31	85	28	163	-	-	92,1	37,3
	UKP217H	310	95,2	53	83	247	25	31	96	32	187	40,0	82,0	-	-
	UCP315	380	100,0	63	100	290	27	40	110	35	198	-	-	82,0	32,0
	EXP315	380	100,0	63	100	290	27	40	110	35	198	-	-	100,0	37,3
	UKP317H	420	112,0	69	110	320	33	45	120	40	220	48,0	82,0	-	-



D1	D2	G	Z	Dz	Housing	Bearing insert	Open protective caps *	Closed protective caps **	Dynamic load rating	Static load rating	Weight	Shaft diameter
									C _r [kN]	C _{0r} [kN]	[kg]	d [mm]
69,0	-	M6x1	77,0	110,0	P211	UC211	CO	CC	43,55	29,20	3,7	55
69,0	-	M6x1	77,0	110,0	P211	US211	CO	CC	43,55	29,20	3,6	
-	76,2	M6x1	***	***	P211	ES211	***	***	43,55	29,20	3,4	
-	76,2	M6x1	***	***	P211	EX211	***	***	43,55	29,20	3,9	
-	80,0	M6x1	89,0	120,0	P212	UK212 + H2312	CO	CC	52,50	32,80	5,0	
74,9	-	M6x1	-	-	P311	UC311	-	-	71,50	44,80	7,6	
-	83,0	M6x1	-	-	P311	EX311	-	-	71,50	44,80	8,0	
-	80,0	M6x1	-	-	P312	UK312 + H2312	-	-	81,60	51,80	9,5	
74,9	-	M6x1	89,0	120,0	P212	UC212	CO	CC	52,50	32,80	5,0	60
74,9	-	M6x1	89,0	120,0	P212	US212	CO	CC	52,50	32,80	4,8	
-	84,2	M6x1	***	***	P212	ES212	***	***	52,50	32,80	4,7	
-	84,2	M6x1	***	***	P212	EX212	***	***	52,50	32,80	5,4	
-	85,0	M6x1	89,0	132,0	P213	UK213 + H2313	CO	CC	57,20	40,00	6,1	
81,0	-	M6x1	-	-	P312	UC312	-	-	81,60	51,80	9,5	
-	89,0	M6x1	-	-	P312	EX312	-	-	81,60	51,80	9,8	
-	85,0	M6x1	-	-	P313	UK313 + H2313	-	-	93,86	60,50	11,2	
82,0	-	M6x1	89,0	132,0	P213	UC213	CO	CC	57,20	40,00	6,1	65
-	86,0	M6x1	***	***	P213	EX213	***	***	57,20	40,00	6,6	
-	98,0	M10x1	-	-	P215	UK215 + H2315	-	-	66,00	49,50	6,9	
87,5	-	M6x1	-	-	P313	UC313	-	-	93,86	60,50	11,2	
-	97,0	M6x1	-	-	P313	EX313	-	-	93,86	60,50	11,6	
-	98,0	M10x1	-	-	P315	UK315 + H2315	-	-	113,36	76,80	15,9	
86,5	-	M10x1	-	-	P214	UC214	-	-	62,00	45,00	6,6	70
-	96,8	M10x1	-	-	P214	EX214	-	-	62,00	45,00	7,1	
-	105,0	M10x1	-	-	P216	UK216 + H2316	-	-	72,50	54,20	9,4	
94,0	-	M10x1	-	-	P314	UC314	-	-	104,26	68,00	13,1	
-	102,0	M10x1	-	-	P314	EX314	-	-	104,26	68,00	13,6	
-	105,0	M10x1	-	-	P316	UK316 + H2316	-	-	122,85	86,50	19,2	
91,5	-	M10x1	-	-	P215	UC215	-	-	66,00	49,50	7,3	75
-	102,0	M10x1	-	-	P215	EX215	-	-	66,00	49,50	8,0	
-	110,0	M10x1	-	-	P217	UK217 + H2317	-	-	83,20	63,80	11,3	
100,5	-	M10x1	-	-	P315	UC315	-	-	113,36	76,80	15,2	
-	113,0	M10x1	-	-	P315	EX315	-	-	113,36	76,80	16,2	
-	110,0	M10x1	-	-	P317	UK317 + H2317	-	-	132,60	96,50	21,4	

* = Equipped with two open protective caps for passing shafts: Suffix CO see example on page 6

** = Equipped with one open and one closed protective cap for shaft ends: Suffix CC see example on page 6

*** = Protective caps for bearing inserts with eccentric locking collar available on request.

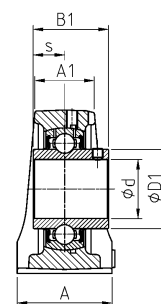
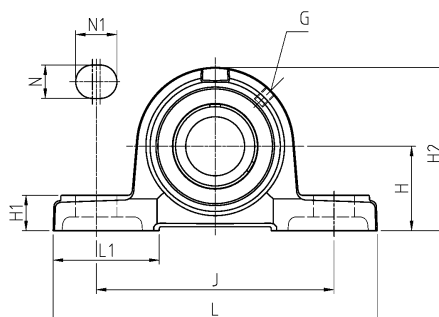
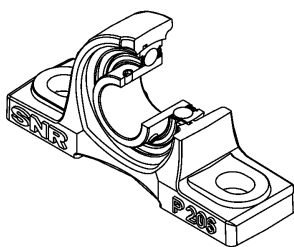


Pillow block unit

Housing

P200 relubricatable

P300 relubricatable

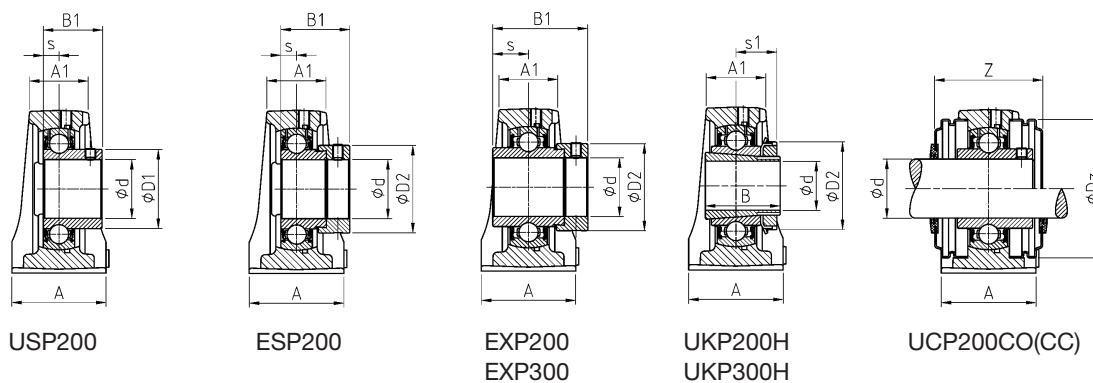
UCP200
UCP300

Shaft diameter

Unit

Main dimensions [mm]

d [mm]		L	H	A1	A	J	N	N1	L1	H1	H2	s1	B	B1	s
80	UCP216	292	88,9	51	78	232	25	31	91	30	175	-	-	82,6	33,3
	EXP216	292	88,9	51	78	232	25	31	91	30	175	-	-	95,2	37,3
	UKP218H	327	101,6	55	88	262	27	33	100	34	200	42,0	86,0	-	-
	UCP316	400	106,0	66	110	300	27	40	110	40	210	-	-	86,0	34,0
	EXP316	400	106,0	66	110	300	27	40	110	40	210	-	-	106,4	40,5
	UKP318H	430	118,0	72	110	330	33	45	120	45	235	48,0	86,0	-	-
85	UCP217	310	95,2	53	83	247	25	31	96	32	187	-	-	85,7	34,1
	EXP217	310	95,2	53	83	247	25	31	96	32	187	-	-	73,2	23,4
	UCP317	420	112,0	69	110	320	33	45	120	40	220	-	-	96,0	40,0
	EXP317	420	112,0	69	110	320	33	45	120	40	220	-	-	109,5	42,0
	UKP319H	470	125,0	75	120	360	36	50	125	45	250	52,0	90,0	-	-
90	UCP218	327	101,6	55	88	262	27	33	100	34	200	-	-	96,0	39,7
	EXP218	327	101,6	55	88	262	27	33	100	34	200	-	-	72,5	24,5
	UCP318	430	118,0	72	110	330	33	45	120	45	235	-	-	96,0	40,0
	EXP318	430	118,0	72	110	330	33	45	120	45	235	-	-	115,9	43,6
	UKP320H	490	140,0	81	120	380	36	50	130	50	275	54,0	97,0	-	-
95	UCP319	470	125,0	75	120	360	36	50	125	45	250	-	-	103,0	41,0
	EXP319	470	125,0	75	120	360	36	50	125	45	250	-	-	122,3	46,8
100	UCP320	490	140,0	81	120	380	36	50	130	50	275	-	-	108,0	42,0
	EXP320	490	140,0	81	120	380	36	50	130	50	275	-	-	128,6	50,0
	UKP322H	520	150,0	83	140	400	40	55	135	55	300	61,0	105,0	-	-
105	UCP321	490	140,0	80	120	380	36	50	130	50	280	-	-	112,0	44,0
110	UCP322	520	150,0	83	140	400	40	55	135	55	300	-	-	117,0	46,0
	UKP324H	570	160,0	88	140	450	40	55	140	65	320	65,0	112,0	-	-
115	UKP326H	600	180,0	94	140	480	40	55	140	75	355	69,0	121,0	-	-
120	UCP324	570	160,0	88	140	450	40	55	140	65	320	-	-	126,0	51,0
125	UKP328H	620	200,0	92	140	500	40	55	140	75	390	73,0	131,0	-	-
130	UCP326	600	180,0	94	140	480	40	55	140	75	355	-	-	135,0	54,0
140	UCP328	620	200,0	92	140	500	40	55	140	75	390	-	-	145,0	59,0



USP200

ESP200

EXP200
EXP300UKP200H
UKP300H

UCP200CO(CC)

D1	D2	G	Z	Dz	Housing	Bearing insert	Open protective caps *	Closed protective caps **	Dynamic load rating	Static load rating	Weight	Shaft diameter
									C_r [kN]	C_{or} [kN]	[kg]	d [mm]
98,0	-	M10x1	-	-	P216	UC216	-	-	72,50	54,20	8,9	80
-	110,0	M10x1	-	-	P216	EX216	-	-	72,50	54,20	9,3	80
-	120,0	M10x1	-	-	P218	UK218 + H2318	-	-	96,00	71,50	13,7	80
107,9	-	M10x1	-	-	P316	UC316	-	-	122,85	86,50	19,0	80
-	119,0	M10x1	-	-	P316	EX316	-	-	122,85	86,50	20,1	80
-	120,0	M10x1	-	-	P318	UK318 + H2318	-	-	143,00	108,00	25,2	80
105,1	-	M10x1	-	-	P217	UC217	-	-	83,20	63,80	10,8	85
-	119,0	M10x1	-	-	P217	EX217	-	-	83,20	63,80	11,2	85
114,0	-	M10x1	-	-	P317	UC317	-	-	132,60	96,50	21,4	85
-	127,0	M10x1	-	-	P317	EX317	-	-	132,60	96,50	22,5	85
-	125,0	M10x1	-	-	P319	UK319 + H2319	-	-	156,00	122,00	30,8	85
111,0	-	M10x1	-	-	P218	UC218	-	-	96,00	71,50	13,5	90
-	120,0	M10x1	-	-	P218	EX218	-	-	96,00	71,50	13,9	90
120,0	-	M10x1	-	-	P318	UC318	-	-	143,00	108,00	25,1	90
-	133,0	M10x1	-	-	P318	EX318	-	-	143,00	108,00	26,3	90
-	130,0	M10x1	-	-	P320	UK320 + H2320	-	-	171,60	140,00	37,8	90
126,5	-	M10x1	-	-	P319	UC319	-	-	156,00	122,00	30,5	95
-	140,0	M10x1	-	-	P319	EX319	-	-	156,00	122,00	32,0	95
134,5	-	M10x1	-	-	P320	UC320	-	-	171,60	140,00	38,1	100
-	146,0	M10x1	-	-	P320	EX320	-	-	171,60	140,00	39,9	100
-	145,0	M10x1	-	-	P322	UK322 + H2322	-	-	205,00	178,00	51,3	100
140,5	-	M10x1	-	-	P321	UC321	-	-	182,00	155,00	38,5	105
149,0	-	M10x1	-	-	P322	UC322	-	-	205,00	178,00	47,9	110
-	155,0	M10x1	-	-	P324	UK324 + H2324	-	-	228,00	208,00	61,5	110
-	165,0	M10x1	-	-	P326	UK326 + H2326	-	-	252,00	242,00	79,9	115
163,0	-	M10x1	-	-	P324	UC324	-	-	228,00	208,00	58,8	120
-	180,0	M10x1	-	-	P328	UK328 + H2328	-	-	275,00	272,00	96,3	125
177,0	-	M10x1	-	-	P326	UC326	-	-	252,00	242,00	75,0	130
190,0	-	M10x1	-	-	P328	UC328	-	-	275,00	272,00	90,4	140

* = Equipped with two open protective caps for passing shafts: Suffix CO see example on page 6

** = Equipped with one open and one closed protective cap for shaft ends: Suffix CC see example on page 6

*** = Protective caps for bearing inserts with eccentric locking collar available on request.

